



Level



Pressure



Flow



Temperature



Liquid  
Analysis



Registration



Systems  
Components



Services



Solutions

## Technical Information

# Proline Promag 10W

## Electromagnetic Flow Measuring System

Flow measurement of liquids in water or wastewater applications



### Application

Electromagnetic flowmeter for bidirectional measurement of liquids with a minimum conductivity of  $\geq 50 \mu\text{S}/\text{cm}$ :

- Drinking water
- Wastewater
- Sewage sludge
- Flow measurement up to  $110000 \text{ m}^3/\text{h}$  ( $484315 \text{ gal}/\text{min}$ )
- Fluid temperature up to  $+80 \text{ }^\circ\text{C}$  ( $176 \text{ }^\circ\text{F}$ )
- Process pressures up to 40 bar (580 psi)
- Lengths in accordance with DVGW/ISO

Application-specific lining materials:

- Polyurethane
- Hard rubber

Lined measuring pipes with materials approved for drinking water:

- KTW
- WRAS
- NSF
- ACS

### Your benefits

Promag measuring devices offer you cost-effective flow measurement with a high degree of accuracy for a wide range of process conditions.

The uniform Proline transmitter concept comprises:

- High degree of reliability and measuring stability
- Uniform operating concept

The tried-and-tested Promag sensors offer:

- No pressure loss
- Not sensitive to vibrations
- Simple installation and commissioning

## Table of contents

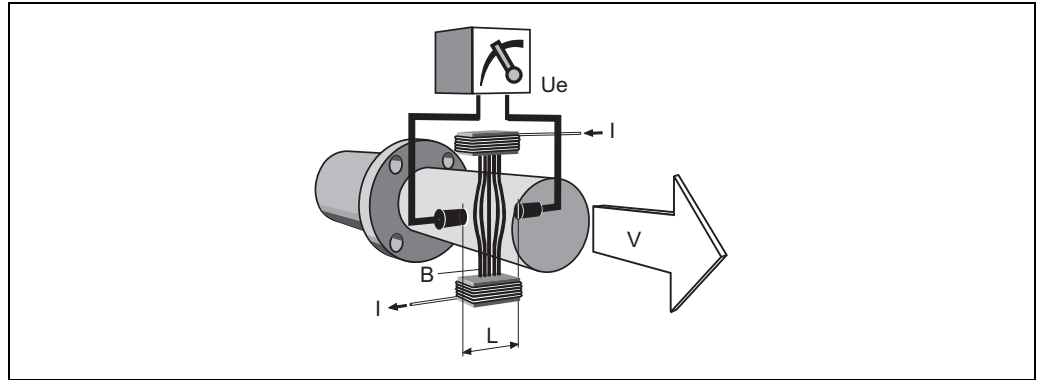
<b>Function and system design</b> .....	<b>3</b>	<b>Mechanical construction</b> .....	<b>20</b>
Measuring principle .....	3	Design, dimensions .....	20
Measuring system .....	3	Weight .....	32
<b>Input</b> .....	<b>4</b>	Measuring tube specifications .....	34
Measured variable .....	4	Material .....	35
Measuring ranges .....	4	Material load diagram .....	35
Operable flow range .....	4	Fitted electrodes .....	37
<b>Output</b> .....	<b>4</b>	Process connections .....	38
Output signal .....	4	Surface roughness .....	38
Signal on alarm .....	4	<b>Human interface</b> .....	<b>38</b>
Load .....	4	Display elements .....	38
Low flow .....	4	Operating elements .....	38
Galvanic isolation .....	4	Remote operation .....	38
<b>Power supply</b> .....	<b>5</b>	<b>Certificates and approvals</b> .....	<b>38</b>
Electrical connection, measuring unit .....	5	CE mark .....	38
Electrical connection, terminal assignment .....	5	C-tick mark .....	38
Electrical connection, remote version .....	6	Ex approval .....	38
Supply voltage (power supply) .....	6	Other standards and guidelines .....	38
Cable entry .....	6	Pressure measuring device approval .....	38
Remote version cable specifications .....	7	<b>Ordering information</b> .....	<b>39</b>
Power consumption .....	7	<b>Accessories</b> .....	<b>39</b>
Power supply failure .....	7	<b>Documentation</b> .....	<b>39</b>
Potential equalization .....	8	<b>Registered trademarks</b> .....	<b>39</b>
<b>Performance characteristics</b> .....	<b>9</b>		
Reference operating conditions .....	9		
Maximum measured error .....	9		
Repeatability .....	9		
<b>Operating conditions: Installations</b> .....	<b>10</b>		
Installation instructions .....	10		
Inlet and outlet run .....	13		
Adapters .....	14		
Length of connecting cable .....	15		
<b>Operating conditions: Environment</b> .....	<b>16</b>		
Ambient temperature range .....	16		
Storage temperature .....	16		
Degree of protection .....	16		
Shock and vibration resistance .....	16		
Electromagnetic compatibility (EMC) .....	16		
<b>Operating conditions: Process</b> .....	<b>17</b>		
Medium temperature range .....	17		
Conductivity .....	17		
Medium pressure range (nominal pressure) .....	17		
Pressure tightness .....	17		
Limiting flow .....	18		
Pressure loss .....	19		

## Function and system design

### Measuring principle

Following *Faraday's law of magnetic induction*, a voltage is induced in a conductor moving through a magnetic field.

In the electromagnetic measuring principle, the flowing medium is the moving conductor. The voltage induced is proportional to the flow velocity and is supplied to the amplifier by means of two measuring electrodes. The flow volume is calculated by means of the pipe cross-sectional area. The DC magnetic field is created through a switched direct current of alternating polarity.



$$U_e = B \cdot L \cdot v$$

$$Q = A \cdot v$$

$U_e$	Induced voltage
$B$	Magnetic induction (magnetic field)
$L$	Electrode spacing
$v$	Flow velocity
$Q$	Volume flow
$A$	Pipe cross-section
$I$	Current strength

### Measuring system

The measuring system consists of a transmitter and a sensor.

Two versions are available:

- Compact version: Transmitter and sensor form a mechanical unit.
- Remote version: Sensor is mounted separate from the transmitter.

Transmitter:

- Promag 10 (key operation, two-line, unilluminated display)

Sensor:

- Promag W  
DN 25 to 2000 (1 to 78")

## Input

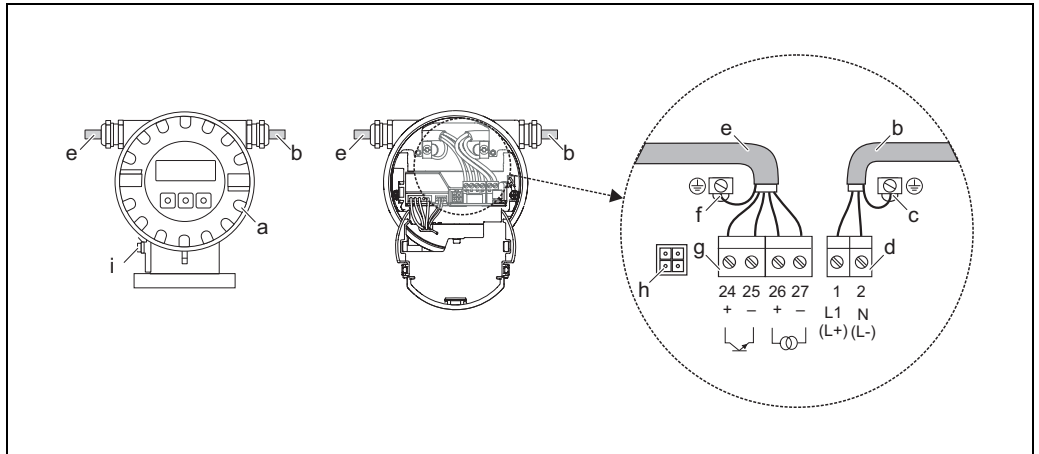
<b>Measured variable</b>	Flow velocity (proportional to induced voltage)
<b>Measuring ranges</b>	Typically $v = 0.01$ to $10$ m/s (0.033 to 33 ft/s) with the specified accuracy
<b>Operable flow range</b>	Over 1000 : 1

## Output

<b>Output signal</b>	<b>Current output</b> <ul style="list-style-type: none"> <li>■ Galvanically isolated</li> <li>■ Active: 4 to 20 mA, <math>R_L &lt; 700 \Omega</math> (for HART: <math>R_L \geq 250 \Omega</math>)</li> <li>■ Full scale value adjustable</li> <li>■ Temperature coefficient: typ. <math>2 \mu\text{A}/^\circ\text{C}</math>, resolution: <math>1.5 \mu\text{A}</math></li> </ul>
	<b>Pulse/status output</b> <ul style="list-style-type: none"> <li>■ Galvanically isolated</li> <li>■ Passive: 30 V DC / 250 mA</li> <li>■ Open collector</li> <li>■ Can be configured as: <ul style="list-style-type: none"> <li>– Pulse output Pulse value and pulse polarity can be selected, max. pulse width adjustable (5 to 2000 ms), pulse frequency max. 100 Hz</li> <li>– Status output For example, can be configured for error messages, empty pipe detection, flow recognition, limit value</li> </ul> </li> </ul>
<b>Signal on alarm</b>	<b>Current output</b> Failsafe mode can be selected (e.g. in accordance with NAMUR Recommendation NE 43)
	<b>Pulse output</b> Failsafe mode can be selected
	<b>Status output</b> "Not conductive" in the event of fault or power supply failure
<b>Load</b>	See "Output signal"
<b>Low flow</b>	Low flow cutoff, switch-on point can be selected as required
<b>Galvanic isolation</b>	All circuits for inputs, outputs and power supply are galvanically isolated from each other.

## Power supply

### Electrical connection, measuring unit

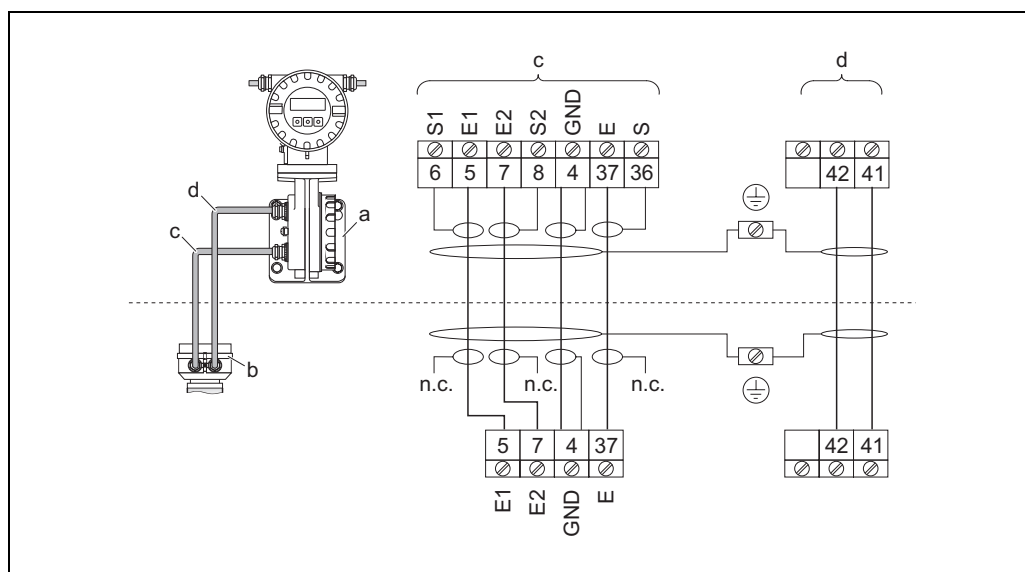


Connecting the transmitter (aluminum field housing), cable cross-section max. 2.5 mm<sup>2</sup> (14 AWG)

- a Electronics compartment cover
- b Power supply cable
- c Ground terminal for power supply cable
- d Terminal connector for power supply cable
- e Signal cable
- f Ground terminal for signal cable
- g Terminal connector for signal cable
- h Service connector for connecting service interface FXA 193 (Fieldcheck, FieldCare)
- i Ground terminal for potential equalization

### Electrical connection, terminal assignment

Order version	Terminal No.					
	24 (+)	25 (-)	26 (+)	27 (-)	1 (L1/L+)	2 (N/L-)
10***_*****A	Pulse/status output		HART current output		Power supply	
Functional values	See "Output signal"				See "Supply voltage"	

**Electrical connection,  
remote version**

**Connecting the remote version**

- a Wall-mount housing connection compartment
- b Sensor connection housing cover
- c Signal cable
- d Coil current cable
- n.c. Not connected, insulated cable shields

**Cable colors/numbers for terminals:**

5/6 = brown; 7/8 = white; 4 = green; 37/36 = yellow

- Supply voltage (power supply)**
- 85 to 250 V AC, 45 to 65 Hz
  - 20 to 28 V AC, 45 to 65 Hz, 11 to 40 V DC

**Cable entry**
**Power supply and signal cables (inputs/outputs):**

- Cable entry M20 × 1.5 (8 to 12 mm / 0.31 to 0.47")
- Thread for cable entries, ½" NPT, G ½"

**Connecting cable for remote version:**

- Cable entry M20 × 1.5 (8 to 12 mm / 0.31 to 0.47")
- Thread for cable entries, ½" NPT, G ½"

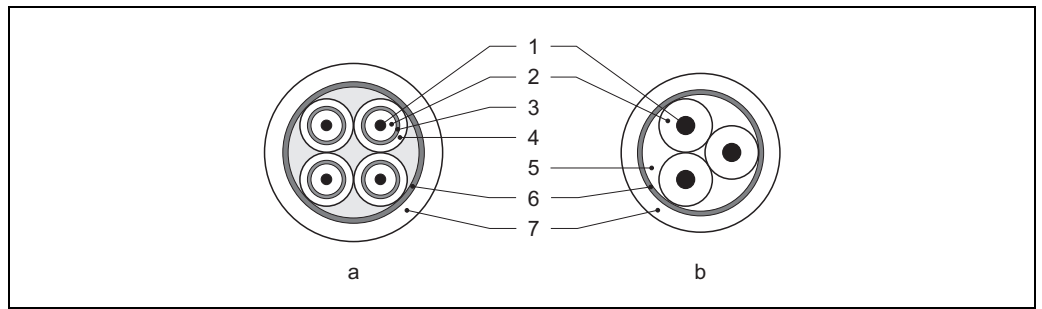
**Remote version cable specifications**

**Coil cable**

- $2 \times 0.75 \text{ mm}^2$  (18 AWG) PVC cable with common, braided copper shield ( $\varnothing \sim 7 \text{ mm} / 0.28''$ )
- Conductor resistance:  $\leq 37 \text{ } \Omega/\text{km}$  ( $\leq 0.011 \text{ } \Omega/\text{ft}$ )
- Capacitance core/core, shield grounded:  $\leq 120 \text{ pF/m}$  ( $\leq 37 \text{ pF/ft}$ )
- Operating temperature:  $-20$  to  $+80 \text{ }^\circ\text{C}$  ( $-4$  to  $+176 \text{ }^\circ\text{F}$ )
- Cable cross-section: max.  $2.5 \text{ mm}^2$  (16 AWG)
- Test voltage for cable insulation:  $\geq 1433 \text{ V AC r.m.s. } 50/60 \text{ Hz}$  or  $\geq 2026 \text{ V DC}$

**Signal cable**

- $3 \times 0.38 \text{ mm}^2$  (20 AWG) PVC cable with common, braided copper shield ( $\varnothing \sim 7 \text{ mm} / 0.28''$ ) and individual shielded cores
- Conductor resistance:  $\leq 50 \text{ } \Omega/\text{km}$  ( $\leq 0.015 \text{ } \Omega/\text{ft}$ )
- Capacitance core/shield:  $\leq 420 \text{ pF/m}$  ( $\leq 128 \text{ pF/ft}$ )
- Operating temperature:  $-20$  to  $+80 \text{ }^\circ\text{C}$  ( $-4$  to  $+176 \text{ }^\circ\text{F}$ )
- Cable cross-section: max.  $2.5 \text{ mm}^2$  (16 AWG)



- a Signal cable  
 b Coil current cable
- 1 Core  
 2 Core insulation  
 3 Core shield  
 4 Core jacket  
 5 Core reinforcement  
 6 Cable shield  
 7 Outer jacket

**Operation in zones of severe electrical interference**

The measuring device complies with the general safety requirements in accordance with EN 61010-1, the EMC requirements of IEC/EN 61326 and NAMUR Recommendation NE 21.



**Caution!**

Grounding is by means of the ground terminals provided for the purpose inside the connection housing. Ensure that the stripped and twisted lengths of cable shield to the ground terminal are as short as possible.

**Power consumption**

Power consumption

- 85 to 250 V AC:  $< 12 \text{ VA}$  (incl. sensor)
- 20 to 28 V AC:  $< 8 \text{ VA}$  (incl. sensor)
- 11 to 40 V DC:  $< 6 \text{ W}$  (incl. sensor)

Switch-on current

- Max. 16 A ( $< 5 \text{ ms}$ ) for 250 V AC
- Max. 5.5 A ( $< 5 \text{ ms}$ ) for 28 V AC
- Max. 3.3 A ( $< 5 \text{ ms}$ ) for 24 V DC

**Power supply failure**

Lasting min.  $\frac{1}{2}$  cycle frequency: EEPROM saves measuring system data

## Potential equalization



### Warning!


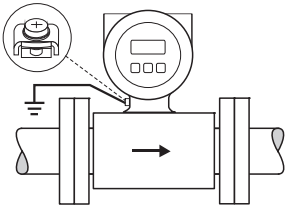
The measuring system must be included in the potential equalization.

Perfect measurement is only ensured when the fluid and the sensor have the same electrical potential. This is ensured by the reference electrode integrated in the sensor as standard.


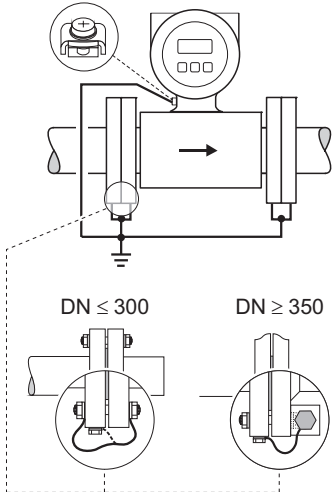
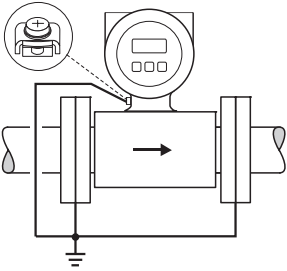
The following should also be taken into consideration for potential equalization:

- Internal grounding concepts in the company
- Operating conditions, such as the material/grounding of the pipes (see table)

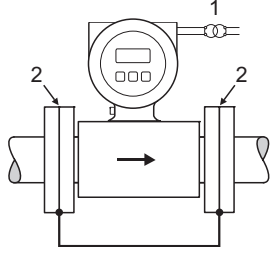
### Standard situation

Operating conditions	Potential equalization
<p>When using the measuring device in a:</p> <ul style="list-style-type: none"> <li>■ Metal, grounded pipe</li> </ul> <p>Potential equalization takes place via the ground terminal of the transmitter.</p> <p> <b>Note!</b> When installing in metal pipes, we recommend you connect the ground terminal of the transmitter housing with the piping.</p>	 <p style="text-align: right;">A0010831</p> <p style="text-align: center;"><i>Via the ground terminal of the transmitter</i></p>

### Special situations

Operating conditions	Potential equalization
<p>When using the measuring device in a:</p> <ul style="list-style-type: none"> <li>■ Metal pipe that is not grounded</li> </ul> <p>This connection method also applies in situations where:</p> <ul style="list-style-type: none"> <li>■ Customary potential equalization cannot be ensured.</li> <li>■ Excessively high equalizing currents can be expected.</li> </ul> <p>Both sensor flanges are connected to the pipe flange by means of a ground cable (copper wire, at least 6 mm<sup>2</sup> / 0.0093 in<sup>2</sup>) and grounded. Connect the transmitter or sensor connection housing, as applicable, to ground potential by means of the ground terminal provided for the purpose.</p> <p>Ground cable installation depends on the nominal diameter:</p> <ul style="list-style-type: none"> <li>■ DN ≤ 300 (12"): The ground cable is mounted directly on the conductive flange coating with the flange screws.</li> <li>■ DN ≥ 350 (14"): The ground cable is mounted directly on the metal transport bracket.</li> </ul> <p> <b>Note!</b> The ground cable for flange-to-flange connections can be ordered separately as an accessory from Endress+Hauser.</p>	 <p style="text-align: right;">A0010832</p> <p style="text-align: center;"><i>Via the ground terminal of the transmitter and the flanges of the pipe</i></p>
<p>When using the measuring device in a:</p> <ul style="list-style-type: none"> <li>■ Plastic pipe</li> <li>■ Pipe with insulating lining</li> </ul> <p>This connection method also applies in situations where:</p> <ul style="list-style-type: none"> <li>■ Customary potential equalization cannot be ensured.</li> <li>■ Excessively high equalizing currents can be expected.</li> </ul> <p>Potential equalization takes place using additional ground disks, which are connected to the ground terminal via a ground cable (copper wire, at least 6 mm<sup>2</sup> / 0.0093 in<sup>2</sup>). When installing the ground disks, please comply with the enclosed Installation Instructions.</p>	 <p style="text-align: right;">A0010833</p> <p style="text-align: center;"><i>Via the ground terminal of the transmitter and the optionally available ground disks</i></p>



Operating conditions	Potential equalization
<p>When using the measuring device in a:</p> <ul style="list-style-type: none"> <li>■ Pipe with a cathodic protection unit</li> </ul> <p>The device is installed potential-free in the pipe. Only the two flanges of the pipe are connected with a ground cable (copper wire, at least 6 mm<sup>2</sup> / 0.0093 in<sup>2</sup>). Here, the ground cable is mounted directly on the conductive flange coating with flange screws.</p> <p>Note the following when installing:</p> <ul style="list-style-type: none"> <li>■ The applicable regulations regarding potential-free installation must be observed.</li> <li>■ There should be <b>no</b> electrically conductive connection between the pipe and the device.</li> <li>■ The mounting material must withstand the applicable torques.</li> </ul>	 <p style="text-align: right;">A0010834</p> <p><i>Potential equalization and cathodic protection</i></p> <p>1 Power supply isolation transformer 2 Electrically isolated</p>

## Performance characteristics

### Reference operating conditions

- As per DIN EN 29104 and VDI/VDE 2641:**
- Fluid temperature: +28 °C ± 2 K (+82 °F ± 2 K)
  - Ambient temperature: +22 °C ± 2 K (+72 °F ± 2 K)
  - Warm-up period: 30 minutes

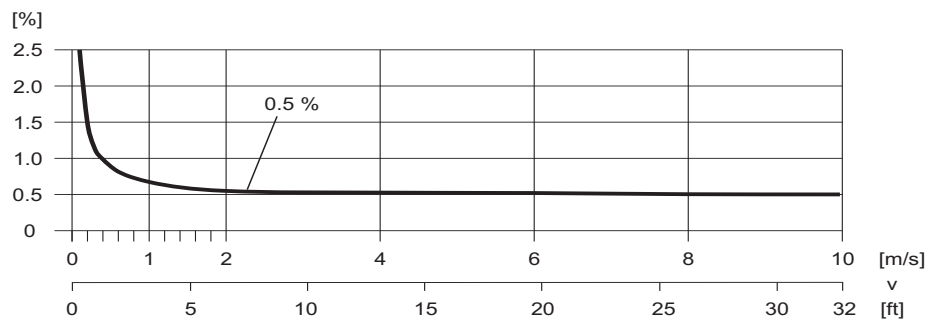
### Installation conditions:

- Inlet run > 10 × DN
- Outlet run > 5 × DN
- Sensor and transmitter grounded.
- The sensor is centered in the pipe.

### Maximum measured error

- Current output: also typically ± 5 µA
- Pulse output: ±0.5% o.r. ± 2 mm/s (±0.5% o.r. ± 0.08 in/s) (o.r. = of reading)

Fluctuations in the supply voltage do not have any effect within the specified range.



Max. measured error in % of reading

A0003200

### Repeatability

Max. ±0.2% o.r. ± 2 mm/s (±0.2% o.r. ± 0.08 in/s) (o.r. = of reading)

## Operating conditions: Installations

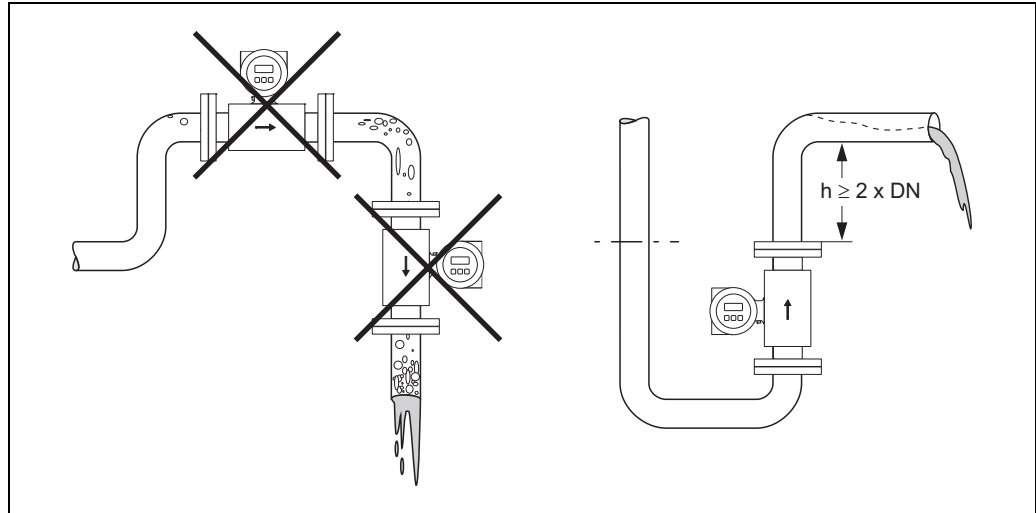
### Installation instructions

#### Mounting location

Entrained air or gas bubble formation in the measuring tube can result in an increase in measuring errors.

**Avoid** the following installation locations in the pipe:

- Highest point of a pipeline. Risk of air accumulating!
- Directly upstream from a free pipe outlet in a vertical pipeline.

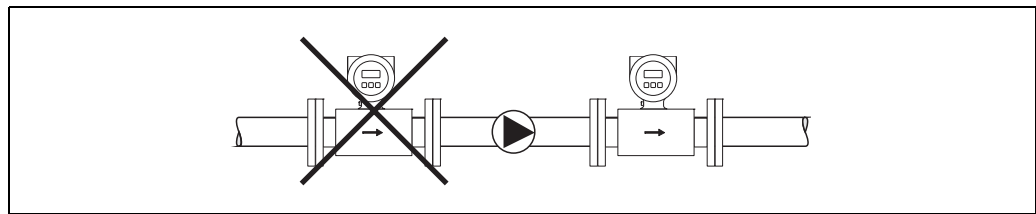


Mounting location

#### Installation of pumps

Sensors may not be installed on the pump suction side. This precaution is to avoid low pressure and the consequent risk of damage to the lining of the measuring tube. Information on the pressure tightness of the measuring tube lining → 17, Section "Pressure tightness".

Pulsation dampers may be needed when using piston pumps, piston diaphragm pumps or hose pumps. Information on the shock and vibration resistance of the measuring system → 16, Section "Shock and vibration resistance".



Installation of pumps

### Partially filled pipes

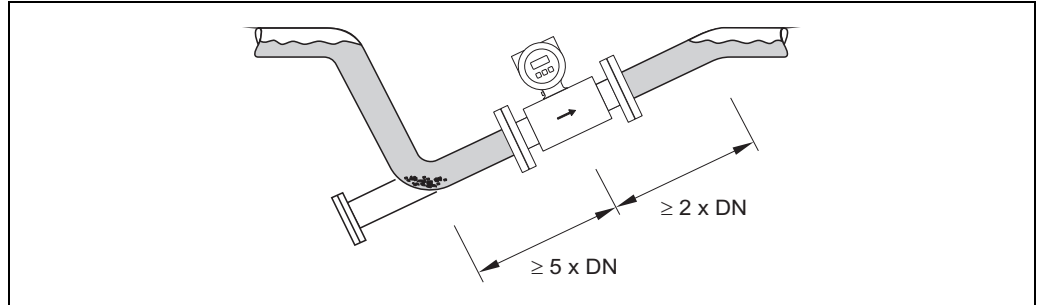
Partially filled pipes with gradients necessitate a drain-type configuration.

The empty pipe detection function (EPD) provides additional security in detecting empty or partially filled pipes.



Caution!

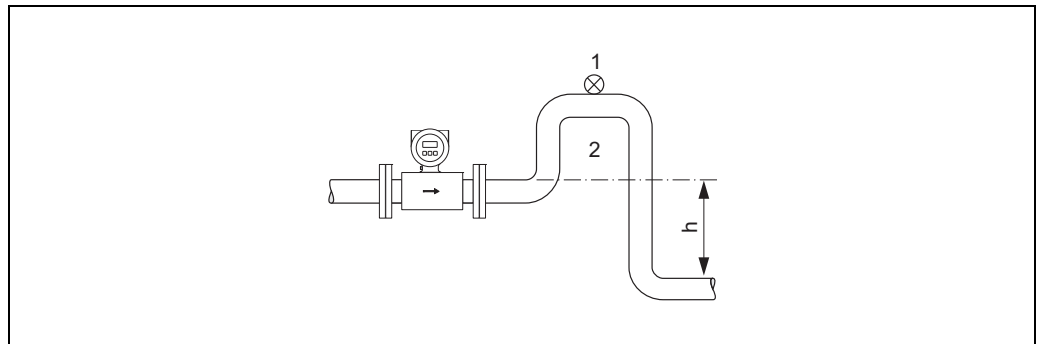
Risk of solids accumulating. Do not install the sensor at the lowest point in the drain. It is advisable to install a cleaning valve.



Installation with partially filled pipes

### Down pipes

Install a siphon or a vent valve downstream of the sensor in down pipes  $h \geq 5$  m (16.4 ft). This precaution is to avoid low pressure and the consequent risk of damage to the lining of the measuring tube. This measure also prevents the liquid current stopping in the pipe which could cause air locks. Information on the pressure tightness of the measuring tube lining → 17, Section "Pressure tightness".



Installation measures for vertical pipes

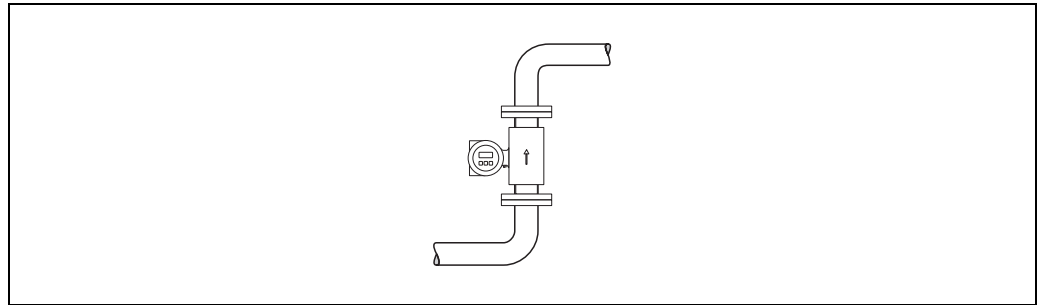
- 1 Vent valve
- 2 Pipe siphon
- h Length of the down pipe

### Orientation

An optimum orientation helps avoid gas and air accumulations and deposits in the measuring tube. However, the measuring device also offers the additional function of empty pipe detection (EPD) for detecting partially filled measuring tubes or if outgassing fluids or fluctuating operating pressures are present.

#### Vertical orientation

This is the ideal orientation for self-emptying piping systems and for use in conjunction with empty pipe detection.



A0008156

Vertical orientation

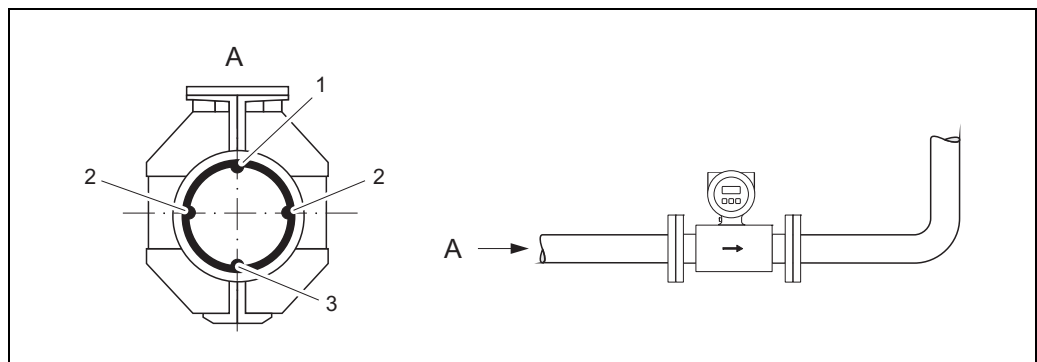
#### Horizontal orientation

The measuring electrode axis should be horizontal. This prevents brief insulation of the two measuring electrodes by entrained air bubbles.



#### Caution!

Empty pipe detection only works correctly with horizontal orientation if the transmitter housing is facing upwards. Otherwise there is no guarantee that empty pipe detection will respond if the measuring tube is only partially filled or empty.



A0003207

Horizontal orientation

- 1 EPD electrode for empty pipe detection
- 2 Measuring electrodes for signal detection
- 3 Reference electrode for potential equalization

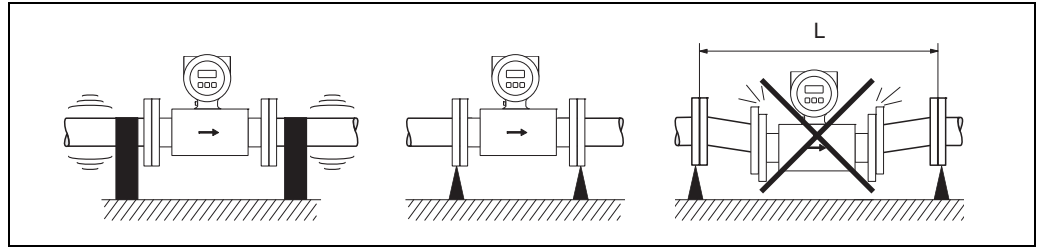
**Vibrations**

Secure the piping and the sensor if vibration is severe.



**Caution!**

If vibrations are too severe, we recommend the sensor and transmitter be mounted separately. Information on the permitted shock and vibration resistance → 16, Section "Shock and vibration resistance".



Measures to prevent vibration of the measuring device

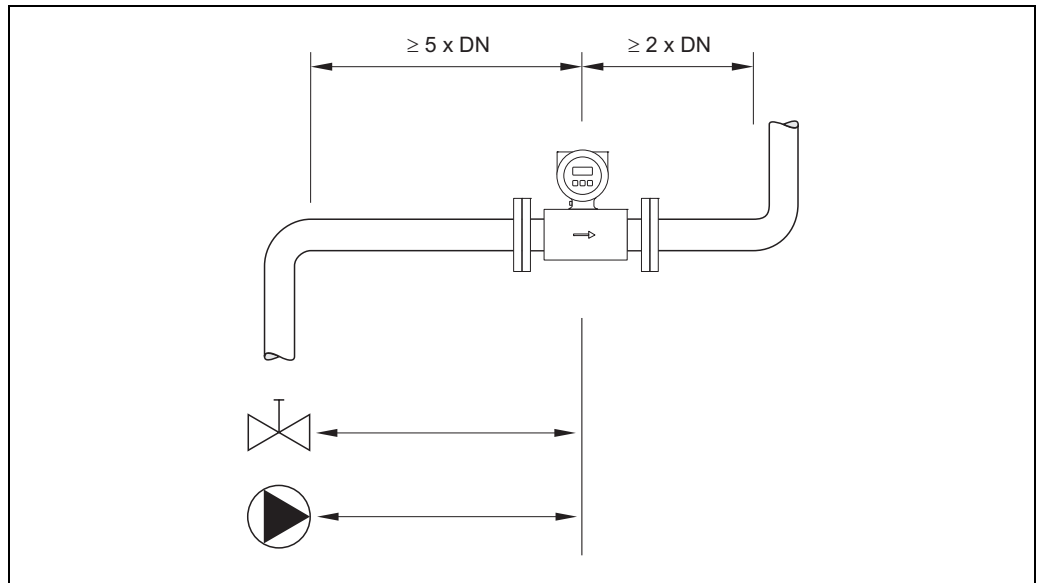
$L > 10\text{ m (33 ft)}$

**Inlet and outlet run**

If possible, install the sensor well clear of assemblies such as valves, T-pieces, elbows etc.

Note the following inlet and outlet runs to comply with measuring accuracy specifications:

- Inlet run:  $\geq 5 \times \text{DN}$
- Outlet run:  $\geq 2 \times \text{DN}$



Inlet and outlet run

## Adapters

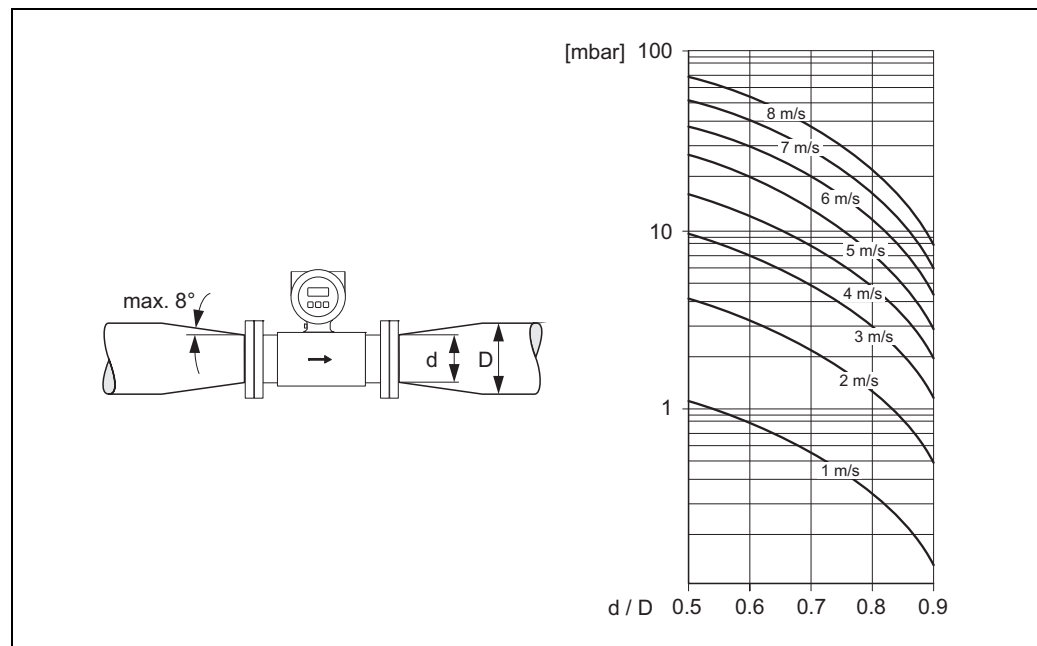
Suitable adapters to DIN EN 545 (double-flange reducers) can be used to install the sensor in larger-diameter pipes. The resultant increase in the rate of flow improves measuring accuracy with very slow-moving fluids. The nomogram shown here can be used to calculate the pressure loss caused by reducers and expanders.



Note!

The nomogram only applies to liquids of viscosity similar to water.

1. Calculate the ratio of the diameters  $d/D$ .
2. From the nomogram read off the pressure loss as a function of flow velocity (downstream from the reduction) and the  $d/D$  ratio.



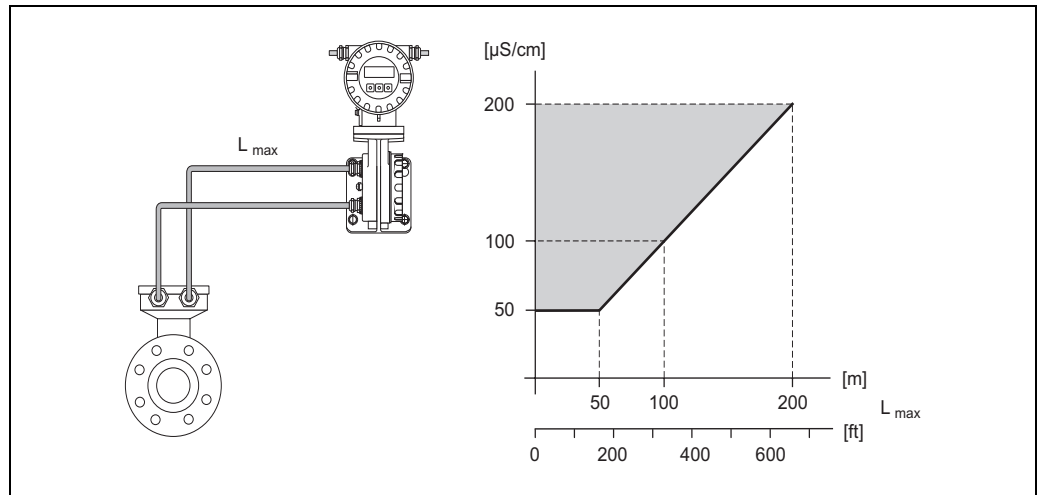
Pressure loss due to adapters

A0003213

**Length of connecting cable**

When mounting the remote version, please note the following to achieve correct measuring results:

- Fix cable run or lay in armored conduit. Cable movements can falsify the measuring signal especially in the case of low fluid conductivities.
- Route the cable well clear of electrical machines and switching elements.
- If necessary, ensure potential equalization between sensor and transmitter.
- The permitted cable length  $L_{max}$  is determined by the fluid conductivity. A minimum conductivity of  $50 \mu\text{S/cm}$  is needed for all fluids.
- When the empty pipe detection function is switched on (EPD), the maximum connecting cable length is 10 m (33 ft).






*Permitted length of connecting cable for remote version*

*Area marked in gray = permitted range;  $L_{max}$  = length of connecting cable in [m] ([ft]); fluid conductivity in  $\mu\text{S/cm}$*

A0003214

## Operating conditions: Environment

<b>Ambient temperature range</b>	<p><b>Transmitter</b></p> <ul style="list-style-type: none"> <li>■ -20 to +60 °C (-4 to +140 °F)</li> </ul> <p><b>Sensor</b></p> <ul style="list-style-type: none"> <li>■ Flange material carbon steel: -10 to +60 °C (+14 to +140 °F)</li> <li>■ Flange material stainless steel: -40 to +60 °C (-40 to +140 °F)</li> </ul> <p> <b>Caution!</b> The permitted temperature range of the measuring tube lining may not be undershot or overshot (→  17, Section "Medium temperature range").</p> <p>Please note the following points:</p> <ul style="list-style-type: none"> <li>■ Install the device in a shady location. Avoid direct sunlight, particularly in warm climatic regions.</li> <li>■ The transmitter must be mounted separate from the sensor if both the ambient and fluid temperatures are high.</li> </ul>
<b>Storage temperature</b>	<p>The storage temperature corresponds to the operating temperature range of the measuring transmitter and the appropriate measuring sensors.</p> <p> <b>Caution!</b></p> <ul style="list-style-type: none"> <li>■ The measuring device must be protected against direct sunlight during storage in order to avoid unacceptably high surface temperatures.</li> <li>■ A storage location must be selected where moisture does not collect in the measuring device. This will help prevent fungus and bacteria infestation which can damage the liner.</li> </ul>
<b>Degree of protection</b>	<ul style="list-style-type: none"> <li>■ Standard: IP 67 (NEMA 4X) for transmitter and sensor.</li> <li>■ Optional: IP 68 (NEMA 6P) for sensor for remote version.</li> <li>■ For information regarding applications where the device is buried directly in the soil or is installed in a flooded wastewater basin please contact your local Endress+Hauser Sales Center.</li> </ul>
<b>Shock and vibration resistance</b>	<p>Acceleration up to 2 g following IEC 600 68-2-6</p>
<b>Electromagnetic compatibility (EMC)</b>	<ul style="list-style-type: none"> <li>■ As per IEC/EN 61326 as well as NAMUR Recommendation NE 21</li> <li>■ Emission: to limit value for industry EN 55011</li> </ul>



## Operating conditions: Process

### Medium temperature range

The permitted temperature depends on the measuring tube lining:

- Polyurethane: -20 to +50 °C (-4 to +122 °F) (DN 25 to 1200 / 1 to 48")
- Hard rubber: 0 to +80 °C (+32 to +176 °F) (DN 50 to 2000 / 2 to 78")

### Conductivity



The minimum conductivity is:  $\geq 50 \mu\text{S}/\text{cm}$

Note!

In the remote version, the necessary minimum conductivity also depends on the cable length (→ 15, Section "Length of connecting cable").

### Medium pressure range (nominal pressure)

- EN 1092-1 (DIN 2501)
  - PN 6 (DN 350 to 2000 / 14 to 78")
  - PN 10 (DN 200 to 2000 / 8 to 78")
  - PN 16 (DN 65 to 2000 / 3 to 78")
  - PN 25 (DN 200 to 1000 / 8 to 40")
  - PN 40 (DN 25 to 150 / 1 to 6")
- ANSI B 16.5
  - Class 150 (DN 25 to 600 / 1 to 24")
  - Class 300 (DN 25 to 150 / 1 to 6")
- AWWA
  - Class D (DN 700 to 2000 / 28 to 78")
- JIS B2220
  - 10 K (DN 50 to 300 / 2 to 12")
  - 20 K (DN 25 to 300 / 1 to 12")
- AS 2129
  - Table E (DN 80, 100, 150 to 1200 / 3", 4", 6 to 48")
- AS 4087
  - PN 16 (DN 80, 100, 150 to 1200 / 3", 4", 6 to 48")

### Pressure tightness

*Measuring tube lining: Polyurethane*

Nominal diameter		Limit values for abs. pressure [mbar] ([psi]) at fluid temperatures:			
[mm]	[inch]	25 °C (77 °F)		50 °C (122 °F)	
		[mbar]	[psi]	[mbar]	[psi]
25 to 1200	1 to 48"	0	0	0	0

*Measuring tube lining: Hard rubber*

Nominal diameter		Limit values for abs. pressure [mbar] ([psi]) at fluid temperatures:					
[mm]	[inch]	25 °C (77 °F)		70 °C (158 °F)		80 °C (176 °F)	
		[mbar]	[psi]	[mbar]	[psi]	[mbar]	[psi]
50 to 2000	2 to 78"	0	0	0	0	0	0

**Limiting flow**

The diameter of the pipe and the flow rate determine the nominal diameter of the sensor.


The optimum flow velocity is between 2 to 3 m/s (6.5 to 9.8 ft/s). The velocity of flow (v), moreover, has to be matched to the physical properties of the fluid:

- $v < 2$  m/s (6.5 ft/s): for abrasive fluids such as potter's clay, lime milk, ore slurry etc.
- $v > 2$  m/s (6.5 ft/s): for fluids causing build-up such as wastewater sludges etc.

Flow characteristic values (SI units)					
Diameter		Recommended flow Min./max. full scale value ( $v \sim 0.3$ or $10$ m/s)	Factory settings		
[mm]	[inch]		Full scale value Current output ( $v \sim 2.5$ m/s)	Pulse value ( $\sim 2$ pulses/s)	Low flow ( $v \sim 0.04$ m/s)
25	1"	9 to 300 dm <sup>3</sup> /min	75 dm <sup>3</sup> /min	0.50 dm <sup>3</sup>	1 dm <sup>3</sup> /min
32	–	15 to 500 dm <sup>3</sup> /min	125 dm <sup>3</sup> /min	1.00 dm <sup>3</sup>	2 dm <sup>3</sup> /min
40	1½"	25 to 700 dm <sup>3</sup> /min	200 dm <sup>3</sup> /min	1.50 dm <sup>3</sup>	3 dm <sup>3</sup> /min
50	2"	35 to 1100 dm <sup>3</sup> /min	300 dm <sup>3</sup> /min	2.50 dm <sup>3</sup>	5 dm <sup>3</sup> /min
65	–	60 to 2000 dm <sup>3</sup> /min	500 dm <sup>3</sup> /min	5.00 dm <sup>3</sup>	8 dm <sup>3</sup> /min
80	3"	90 to 3000 dm <sup>3</sup> /min	750 dm <sup>3</sup> /min	5.00 dm <sup>3</sup>	12 dm <sup>3</sup> /min
100	4"	145 to 4700 dm <sup>3</sup> /min	1200 dm <sup>3</sup> /min	10.00 dm <sup>3</sup>	20 dm <sup>3</sup> /min
125	–	220 to 7500 dm <sup>3</sup> /min	1850 dm <sup>3</sup> /min	15.00 dm <sup>3</sup>	30 dm <sup>3</sup> /min
150	6"	20 to 600 m <sup>3</sup> /h	150 m <sup>3</sup> /h	0.025 m <sup>3</sup>	2.5 m <sup>3</sup> /h
200	8"	35 to 1100 m <sup>3</sup> /h	300 m <sup>3</sup> /h	0.05 m <sup>3</sup>	5.0 m <sup>3</sup> /h
250	10"	55 to 1700 m <sup>3</sup> /h	500 m <sup>3</sup> /h	0.05 m <sup>3</sup>	7.5 m <sup>3</sup> /h
300	12"	80 to 2400 m <sup>3</sup> /h	750 m <sup>3</sup> /h	0.10 m <sup>3</sup>	10 m <sup>3</sup> /h
350	14"	110 to 3300 m <sup>3</sup> /h	1000 m <sup>3</sup> /h	0.10 m <sup>3</sup>	15 m <sup>3</sup> /h
375	15"	140 to 4200 m <sup>3</sup> /h	1200 m <sup>3</sup> /h	0.15 m <sup>3</sup>	20 m <sup>3</sup> /h
400	16"	140 to 4200 m <sup>3</sup> /h	1200 m <sup>3</sup> /h	0.15 m <sup>3</sup>	20 m <sup>3</sup> /h
450	18"	180 to 5400 m <sup>3</sup> /h	1500 m <sup>3</sup> /h	0.25 m <sup>3</sup>	25 m <sup>3</sup> /h
500	20"	220 to 6600 m <sup>3</sup> /h	2000 m <sup>3</sup> /h	0.25 m <sup>3</sup>	30 m <sup>3</sup> /h
600	24"	310 to 9600 m <sup>3</sup> /h	2500 m <sup>3</sup> /h	0.30 m <sup>3</sup>	40 m <sup>3</sup> /h
700	28"	420 to 13500 m <sup>3</sup> /h	3500 m <sup>3</sup> /h	0.50 m <sup>3</sup>	50 m <sup>3</sup> /h
–	30"	480 to 15000 m <sup>3</sup> /h	4000 m <sup>3</sup> /h	0.50 m <sup>3</sup>	60 m <sup>3</sup> /h
800	32"	550 to 18000 m <sup>3</sup> /h	4500 m <sup>3</sup> /h	0.75 m <sup>3</sup>	75 m <sup>3</sup> /h
900	36"	690 to 22500 m <sup>3</sup> /h	6000 m <sup>3</sup> /h	0.75 m <sup>3</sup>	100 m <sup>3</sup> /h
1000	40"	850 to 28000 m <sup>3</sup> /h	7000 m <sup>3</sup> /h	1.00 m <sup>3</sup>	125 m <sup>3</sup> /h
–	42"	950 to 30000 m <sup>3</sup> /h	8000 m <sup>3</sup> /h	1.00 m <sup>3</sup>	125 m <sup>3</sup> /h
1200	48"	1250 to 40000 m <sup>3</sup> /h	10000 m <sup>3</sup> /h	1.50 m <sup>3</sup>	150 m <sup>3</sup> /h
–	54"	1550 to 50000 m <sup>3</sup> /h	13000 m <sup>3</sup> /h	1.50 m <sup>3</sup>	200 m <sup>3</sup> /h
1400	–	1700 to 55000 m <sup>3</sup> /h	14000 m <sup>3</sup> /h	2.00 m <sup>3</sup>	225 m <sup>3</sup> /h
–	60"	1950 to 60000 m <sup>3</sup> /h	16000 m <sup>3</sup> /h	2.00 m <sup>3</sup>	250 m <sup>3</sup> /h
1600	–	2200 to 70000 m <sup>3</sup> /h	18000 m <sup>3</sup> /h	2.50 m <sup>3</sup>	300 m <sup>3</sup> /h
–	66"	2500 to 80000 m <sup>3</sup> /h	20500 m <sup>3</sup> /h	2.50 m <sup>3</sup>	325 m <sup>3</sup> /h
1800	72"	2800 to 90000 m <sup>3</sup> /h	23000 m <sup>3</sup> /h	3.00 m <sup>3</sup>	350 m <sup>3</sup> /h
–	78"	3300 to 100000 m <sup>3</sup> /h	28500 m <sup>3</sup> /h	3.50 m <sup>3</sup>	450 m <sup>3</sup> /h
2000	–	3400 to 110000 m <sup>3</sup> /h	28500 m <sup>3</sup> /h	3.50 m <sup>3</sup>	450 m <sup>3</sup> /h

Flow characteristic values (US units)					
Diameter		Recommended flow rate Min./max. full scale value (v ~ 0.3 or 10 m/s)	Factory settings		
[inch]	[mm]		Full scale value Current output (v ~ 2.5 m/s)	Pulse value (~ 2 pulses/s)	Low flow (v ~ 0.04 m/s)
1"	25	2.5 to 80 gal/min	18 gal/min	0.20 gal	0.25 gal/min
–	32	4 to 130 gal/min	30 gal/min	0.20 gal	0.50 gal/min
1½"	40	7 to 190 gal/min	50 gal/min	0.50 gal	0.75 gal/min
2"	50	10 to 300 gal/min	75 gal/min	0.50 gal	1.25 gal/min
–	65	16 to 500 gal/min	130 gal/min	1 gal	2.0 gal/min
3"	80	24 to 800 gal/min	200 gal/min	2 gal	2.5 gal/min
4"	100	40 to 1250 gal/min	300 gal/min	2 gal	4.0 gal/min
–	125	60 to 1950 gal/min	450 gal/min	5 gal	7.0 gal/min
6"	150	90 to 2650 gal/min	600 gal/min	5 gal	12 gal/min
8"	200	155 to 4850 gal/min	1200 gal/min	10 gal	15 gal/min
10"	250	250 to 7500 gal/min	1500 gal/min	15 gal	30 gal/min
12"	300	350 to 10600 gal/min	2400 gal/min	25 gal	45 gal/min
14"	350	500 to 15000 gal/min	3600 gal/min	30 gal	60 gal/min
15"	375	600 to 19000 gal/min	4800 gal/min	50 gal	60 gal/min
16"	400	600 to 19000 gal/min	4800 gal/min	50 gal	60 gal/min
18"	450	800 to 24000 gal/min	6000 gal/min	50 gal	90 gal/min
20"	500	1000 to 30000 gal/min	7500 gal/min	75 gal	120 gal/min
24"	600	1400 to 44000 gal/min	10500 gal/min	100 gal	180 gal/min
28"	700	1900 to 60000 gal/min	13500 gal/min	125 gal	210 gal/min
30"	–	2150 to 67000 gal/min	16500 gal/min	150 gal	270 gal/min
32"	800	2450 to 80000 gal/min	19500 gal/min	200 gal	300 gal/min
36"	900	3100 to 100000 gal/min	24000 gal/min	225 gal	360 gal/min
40"	1000	3800 to 125000 gal/min	30000 gal/min	250 gal	480 gal/min
42"	–	4200 to 135000 gal/min	33000 gal/min	250 gal	600 gal/min
48"	1200	5500 to 175000 gal/min	42000 gal/min	400 gal	600 gal/min
54"	–	9 to 300 Mgal/min	75 Mgal/min	0.0005 Mgal	1.3 Mgal/min
–	1400	10 to 340 Mgal/min	85 Mgal/min	0.0005 Mgal	1.3 Mgal/min
60"	–	12 to 380 Mgal/min	95 Mgal/min	0.0005 Mgal	1.3 Mgal/min
–	1600	13 to 450 Mgal/min	110 Mgal/min	0.0008 Mgal	1.7 Mgal/min
66"	–	14 to 500 Mgal/min	120 Mgal/min	0.0008 Mgal	2.2 Mgal/min
72"	1800	16 to 570 Mgal/min	140 Mgal/min	0.0008 Mgal	2.6 Mgal/min
78"	–	18 to 650 Mgal/min	175 Mgal/min	0.001 Mgal	3.0 Mgal/min
–	2000	20 to 700 Mgal/min	175 Mgal/min	0.001 Mgal	3.0 Mgal/min

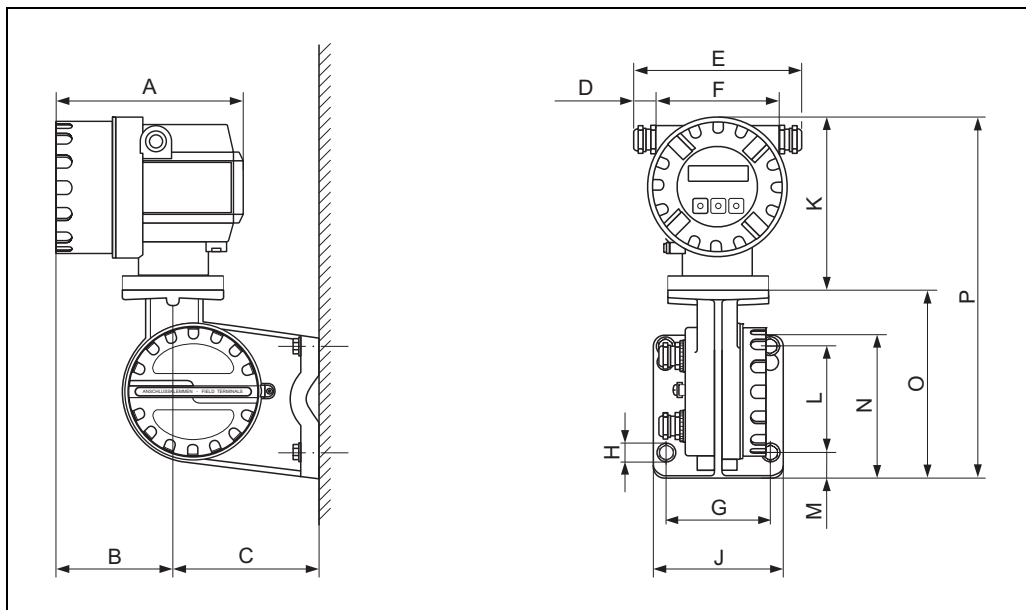
**Pressure loss**

- No pressure loss if the sensor is installed in a pipe with the same nominal diameter.
- Pressure losses for configurations incorporating adapters according to DIN EN 545 (→  14, Section "Adapters").

## Mechanical construction

### Design, dimensions

### Transmitter, remote version



Transmitter dimensions, remote version

#### Dimensions in SI units

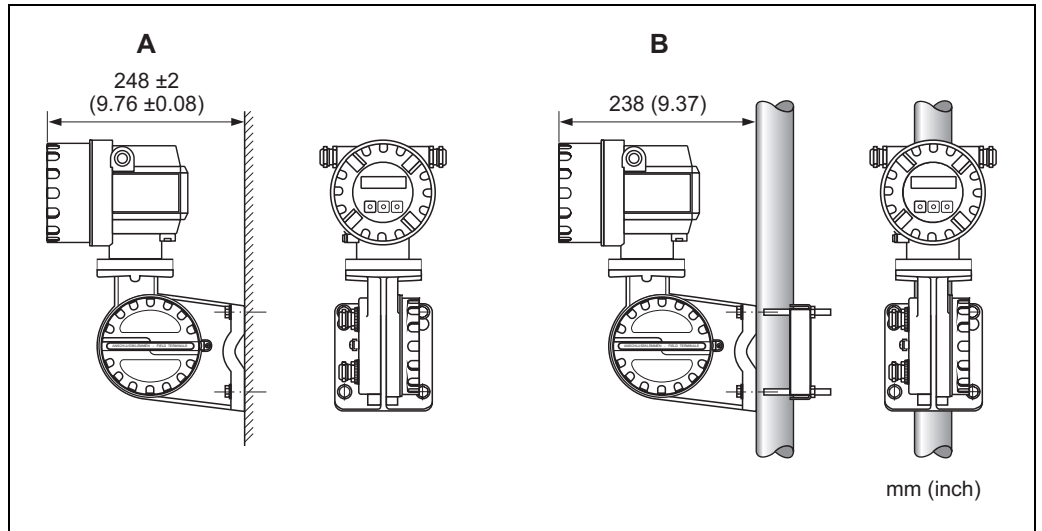
A	B	C	D	E	F	G	Ø H
178	113	135	20 to 30	161 to 181	113	100	8.6 (M8)
J	K	L	M	N	O	P	
123	150	100	25	133	177.5	327.5	

All dimensions in [mm]

#### Dimensions in US units

A	B	C	D	E	F	G	Ø H
7.00	4.45	5.31	0.79 to 1.81	6.34 to 7.13	4.45	3.94	0.34 (M8)
J	K	L	M	N	O	P	
4.84	5.90	3.94	0.98	5.24	6.99	12.89	

All dimensions in [inch]

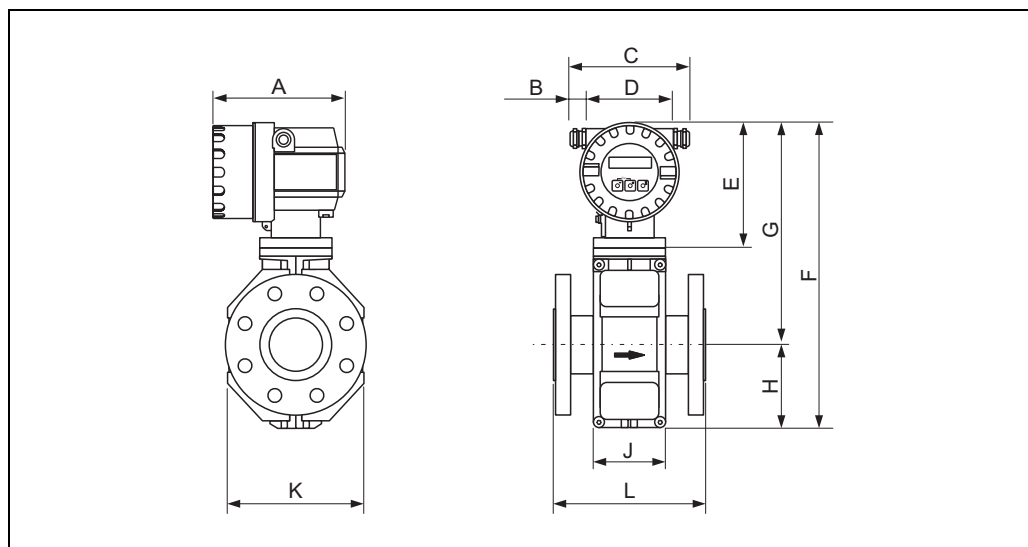


A0010719

*Transmitter mounting, remote version*

- A *Direct wall mounting*
- B *Pipe mounting*

## Compact version DN ≤ 300 (12")



A0012464

## Dimensions in SI units

DN EN (DIN) / JIS / AS <sup>2)</sup>	L <sup>1)</sup>	A	B	C	D	E	F	G	H	J	K
25	200	178	20 to 30	161 to 181	113	150	341	257	84	94	120
32	200						341	257	84	94	120
40	200						341	257	84	94	120
50	200						341	257	84	94	120
65	200						391	282	109	94	180
80	200						391	282	109	94	180
100	250						391	282	109	94	180
125	250						472	322	150	140	260
150	300						472	322	150	140	260
200	350						527	347	180	156	324
250	450						577	372	205	166	400
300	500						627	397	230	166	460

<sup>1)</sup> The length is regardless of the pressure rating selected. Fitting length to DVGW.

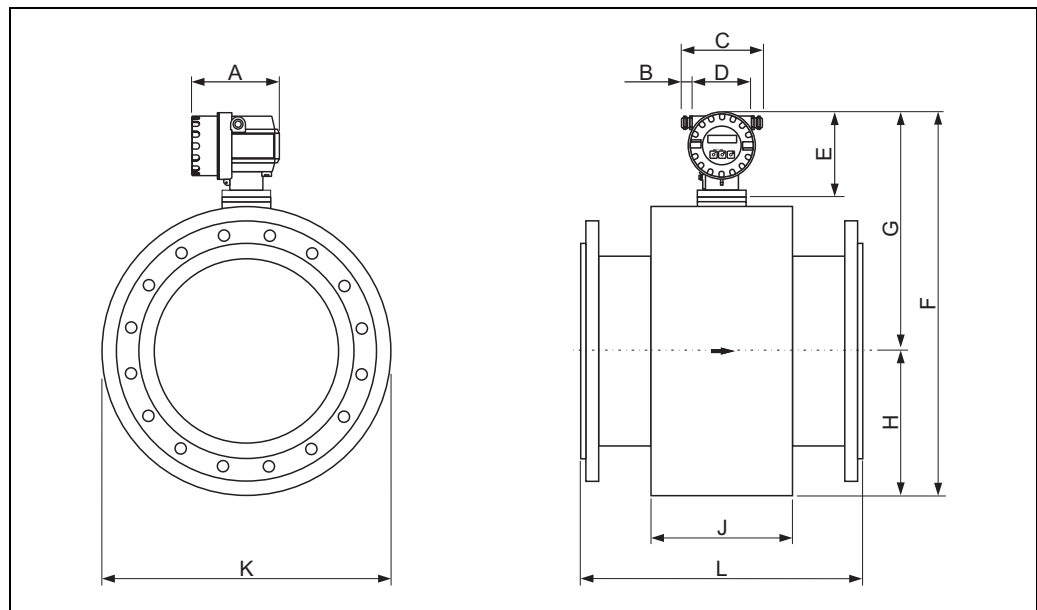
<sup>2)</sup> For flanges to AS, only the nominal diameters DN 80, 100 and 150 to 300 are available.  
All dimensions in [mm]

*Dimensions in US units*

DN ANSI	L <sup>1)</sup>	A	B	C	D	E	F	G	H	J	K
1"	7.87	7.01	0.79 to 1.18	6.34 to 7.13	4.45	5.91	13.4	10.1	3.31	3.70	4.72
1½"	7.87						13.4	10.1	3.31	3.70	4.72
2"	7.87						13.4	10.1	3.31	3.70	4.72
3"	7.87						15.4	11.1	4.29	3.70	7.09
4"	9.84						15.4	11.1	4.29	3.70	7.09
6"	11.8						18.6	12.7	5.91	5.51	10.2
8"	13.8						20.8	13.7	7.09	6.14	12.8
10"	17.7						22.7	14.7	8.07	6.14	15.8
12"	19.7						24.7	15.6	9.06	6.54	18.1

<sup>1)</sup> The length is regardless of the pressure rating selected. Fitting length to DVGW.  
All dimensions in [inch]

## Compact version DN ≥ 350 (14")



## Dimensions in SI units

DN EN (DIN) / AS <sup>2)</sup>	L <sup>1)</sup>	A	B	C	D	E	F	G	H	J	K
350	550	178	20 to 30	161 to 181	113	150	738.5	456.5	282.0	276	564
375	600						790.5	482.5	308.0	276	616
400	600						790.5	482.5	308.0	276	616
450	650						840.5	507.5	333.0	292	666
500	650						891.5	533.0	358.5	292	717
600	780						995.5	585.0	410.5	402	821
700	910						1198.5	686.5	512.0	589	1024
750	975						1198.5	686.5	512.0	626	1024
800	1040						1241.5	708.5	533.5	647	1067
900	1170						1394.5	784.5	610.0	785	1220
1000	1300						1546.5	860.5	686.0	862	1372
1050	1365						1598.5	886.5	712.0	912	1424
1200	1560						1796.5	985.5	811.0	992	1622
1350	1755						1998.5	1086.5	912.0	1252	1824
1400	1820						2148.5	1161.5	987.0	1252	1974
1500	1950						2196.5	1185.5	1011.0	1392	2022
1600	2080	2286.5	1230.5	1056.0	1482	2112					
1650	2145	2360.5	1267.5	1093.0	1482	2186					
1800	2340	2550.5	1362.5	1188.0	1632	2376					
2000	2600	2650.5	1412.5	1238.0	1732	2476					

<sup>1)</sup> The length is regardless of the pressure rating selected. Fitting length to DVGW.

<sup>2)</sup> For flanges to AS, only DN 350, 400, 500 and 600 are available.

All dimensions in [mm]



*Dimensions in US units*

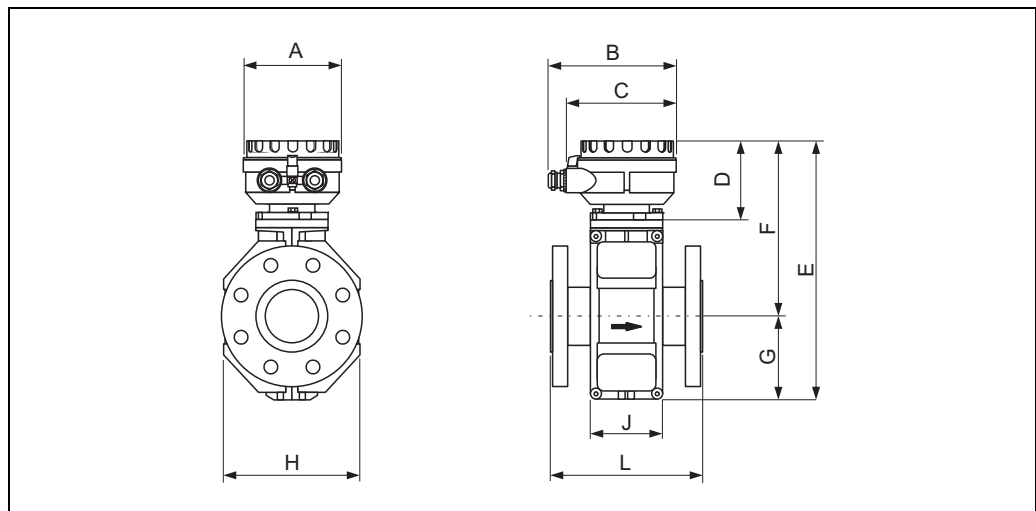
DN ANSI / AWWA <sup>2)</sup>	L <sup>1)</sup>	A	B	C	D	E	F	G	H	J	K
14"	21.6	7.01	0.79 to 1.18	6.34 to 7.13	4.45	5.91	29.1	17.9	11.1	10.9	22.2
15"	23.6						31.1	18.9	12.1	10.9	24.2
16"	23.6						31.1	18.9	12.1	10.9	24.2
18"	25.6						33.1	19.9	13.1	11.5	26.2
20"	25.6						35.1	20.9	14.1	11.5	28.2
24"	30.7						39.2	23.0	16.2	15.8	32.3
28"	35.8						47.2	27.0	20.1	23.2	40.3
30"	38.4						47.2	27.0	20.1	24.6	40.3
32"	40.9						48.9	27.9	21.0	25.5	42.0
36"	46.0						54.9	30.9	24.0	30.9	48.0
40"	51.2						60.9	33.9	27.0	33.9	54.0
42"	53.7						62.9	34.9	28.0	35.9	56.0
48"	61.4						71.7	38.8	31.9	39.0	63.8
54"	69.1						78.7	42.8	35.9	42.3	71.8
56"	71.7						84.6	45.7	38.9	49.3	77.7
60"	76.8						86.5	46.7	39.8	54.8	79.6
64"	81.9						90.0	48.4	41.6	58.4	83.2
66"	84.4						92.9	49.9	43.0	58.4	86.0
72"	92.1						100.4	53.6	46.8	64.2	93.5
78"	102.3						104.3	55.6	48.7	68.2	97.5

<sup>1)</sup> The length is regardless of the pressure rating selected. Fitting length to DVGW.

<sup>2)</sup> Flanges ≤ DN 600 only to ANSI available, ≥ DN 700 only to AWWA available.

All dimensions in [inch]

## Sensor, remote version DN ≤ 300 (12")



A0012462

## Dimensions in SI units

DN EN (DIN) / JIS / AS <sup>2)</sup>	L <sup>1)</sup>	A	B	C	D	E	F	G	H	J
25	200	129	163	143	102	286	202	84	120	94
32	200	129	163	143	102	286	202	84	120	94
40	200	129	163	143	102	286	202	84	120	94
50	200	129	163	143	102	286	202	84	120	94
65	200	129	163	143	102	336	227	109	180	94
80	200	129	163	143	102	336	227	109	180	94
100	250	129	163	143	102	336	227	109	180	94
125	250	129	163	143	102	417	267	150	260	140
150	300	129	163	143	102	417	267	150	260	140
200	350	129	163	143	102	472	292	180	324	156
250	450	129	163	143	102	522	317	205	400	166
300	500	129	163	143	102	572	342	230	460	166

<sup>1)</sup> The length is regardless of the pressure rating selected. Fitting length to DVGW.

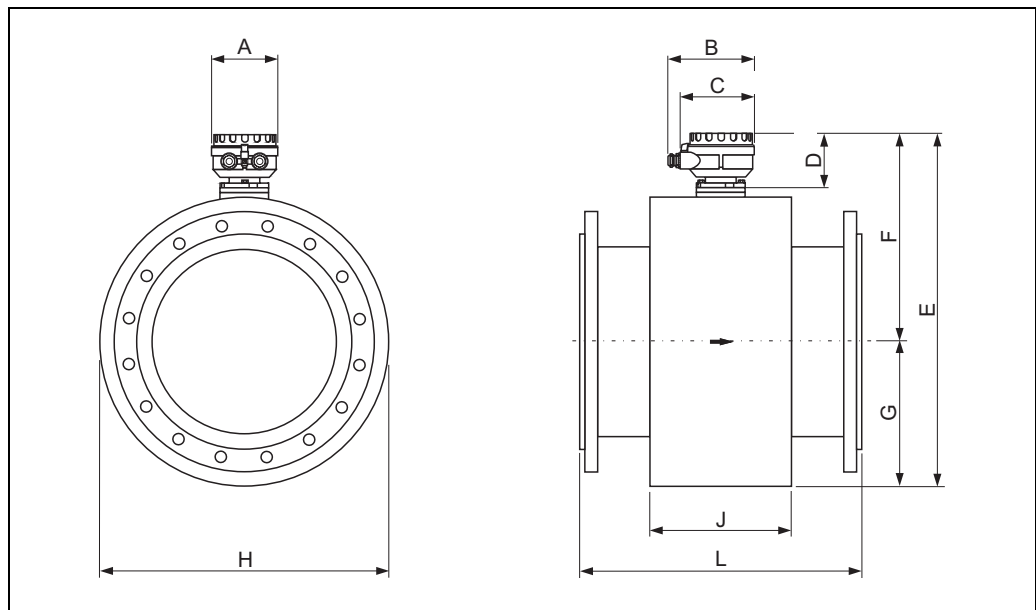
<sup>2)</sup> For flanges to AS, only the nominal diameters DN 80, 100 and 150 to 300 are available.  
All dimensions in [mm]

*Dimensions in US units*

DN ANSI	L <sup>1)</sup>	A	B	C	D	E	F	G	H	J
1"	7.87	5.08	6.42	5.63	4.02	11.3	7.95	3.32	4.72	3.70
1½"	7.87					11.3	7.95	3.32	4.72	3.70
2"	7.87					11.3	7.95	3.32	4.72	3.70
3"	7.87					13.2	8.94	4.30	7.10	3.70
4"	9.84					13.2	8.94	4.30	7.10	3.70
6"	11.8					16.4	10.5	5.91	10.2	5.51
8"	13.8					18.6	11.5	7.10	12.8	6.14
10"	17.7					20.6	12.5	8.08	15.8	6.14
12"	19.7					22.5	13.5	9.06	18.1	6.54

<sup>1)</sup> The length is regardless of the pressure rating selected. Fitting length to DVGW.  
All dimensions in [inch]

## Sensor, remote version DN ≥ 350 (14")



A0003220

## Dimensions in SI units

DN EN (DIN) / AS <sup>2)</sup>	L <sup>1)</sup>	A	B	C	D	E	F	G	H	J
350	550	129	163	143	102	683.5	401.5	282.0	564	276
375	600					735.5	427.5	308.0	616	276
400	600					735.5	427.5	308.0	616	276
450	650					785.5	452.5	333.0	666	292
500	650					836.5	478.0	358.5	717	292
600	780					940.5	530.0	410.5	821	402
700	910					1143.5	631.5	512.0	1024	589
750	975					1143.5	631.5	512.0	1024	626
800	1040					1186.5	653.0	533.5	1067	647
900	1170					1339.5	729.5	610.0	1220	785
1000	1300					1491.5	805.5	686.0	1372	862
1050	1365					1543.5	831.5	712.0	1424	912
1200	1560					1741.5	930.5	811.0	1622	992
1350	1755					1943.5	1031.5	912.0	1824	1252
1400	1820					2093.5	1106.5	987.0	1974	1252
1500	1950					2141.5	1130.5	1011.0	2022	1392
1600	2080					2231.5	1175.5	1056.0	2112	1482
1650	2145					2305.5	1212.5	1093.0	2186	1482
1800	2340					2495.5	1307.5	1188.0	2376	1632
2000	2600					2595.5	1357.5	1238.0	2476	1732

<sup>1)</sup> The length is regardless of the pressure rating selected. Fitting length to DVGW.

<sup>2)</sup> For flanges to AS, only DN 350, 400, 500 and 600 are available.

All dimensions in [mm]

*Dimensions in US units*

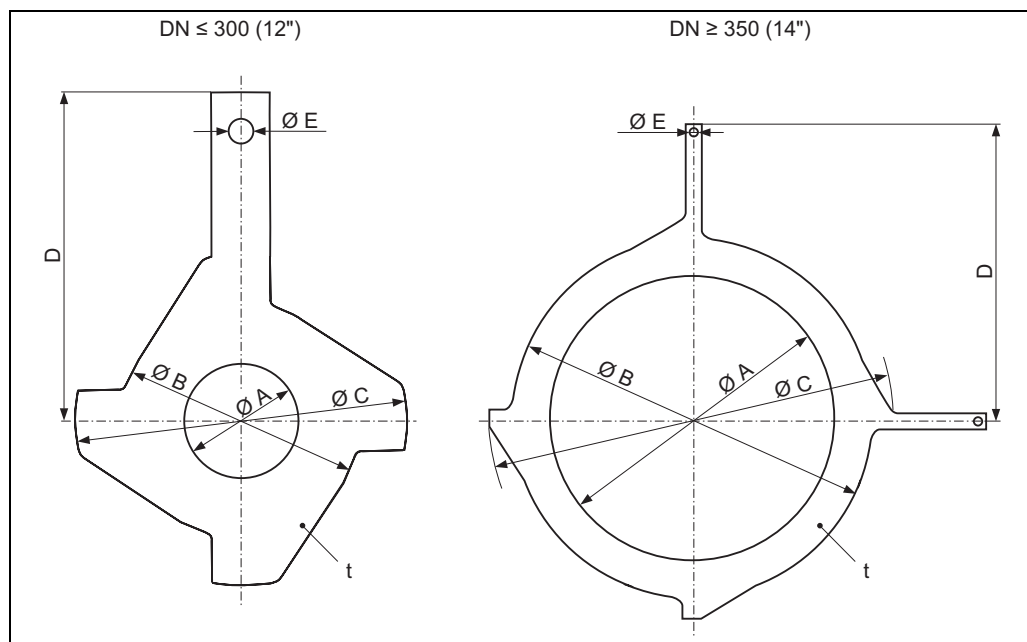
DN ANSI / AWWA <sup>2)</sup>	L <sup>1)</sup>	A	B	C	D	E	F	G	H	J
14"	21.6	5.08	6.42	5.63	4.02	29.1	15.8	11.1	22.2	10.9
15"	23.6					31.1	16.8	12.1	24.2	10.9
16"	23.6					31.1	16.8	12.1	24.2	10.9
18"	25.6					33.1	17.8	13.1	26.2	11.5
20"	25.6					35.1	18.8	14.1	28.2	11.5
24"	30.7					39.2	20.9	16.2	32.3	15.8
28"	35.8					45.0	24.9	20.1	40.3	23.2
30"	38.4					45.0	24.9	20.1	40.3	24.6
32"	40.9					46.7	25.7	21.0	42.0	25.5
36"	46.0					52.7	28.7	24.0	48.0	30.9
40"	51.2					58.7	31.7	27.0	54.0	33.9
42"	53.7					60.7	32.7	28.0	56.0	35.9
48"	61.4					68.5	36.6	31.9	63.8	39.0
54"	69.1					76.5	40.6	35.9	71.8	42.3
56"	71.7					82.4	43.6	38.9	77.7	49.3
60"	76.8					84.3	44.5	39.8	79.6	54.8
64"	81.9					87.9	46.3	41.6	83.2	58.4
66"	84.4					90.8	47.7	43.0	86.0	58.4
72"	92.1					98.2	51.5	46.8	93.5	64.2
78"	102.3					102.2	53.4	48.7	97.5	68.2

<sup>1)</sup> The length is regardless of the pressure rating selected. Fitting length to DVGW.

<sup>2)</sup> Flanges ≤ DN 600 only to ANSI available, ≥ DN 700 only to AWWA available.

All dimensions in [inch]

## Ground disk for flange connections



A0003221

## Dimensions (SI units)

DN <sup>1)</sup> EN (DIN) / JIS / AS <sup>2)</sup>	A	B	C	D	E	t
25	26	62	77.5	87.5	6.5	2
32	35	80	87.5	94.5		
40	41	82	101	103		
50	52	101	115.5	108		
65	68	121	131.5	118		
80	80	131	154.5	135		
100	104	156	186.5	153		
125	130	187	206.5	160		
150	158	217	256	184		
200	206	267	288	205		
250	260	328	359	240		
300 <sup>3)</sup>	312	375	413	273		
300 <sup>4)</sup>	310	375	404	268		
350 <sup>3)</sup>	343	433	479	365	9.0	
375 <sup>3)</sup>	393	480	542	395		
400 <sup>3)</sup>	393	480	542	395		
450 <sup>3)</sup>	439	538	583	417		
500 <sup>3)</sup>	493	592	650	460		
600 <sup>3)</sup>	593	693	766	522		

<sup>1)</sup> Ground disks can be used for all flange standards/pressure ratings that can be delivered, except for DN ≥ 300.

<sup>2)</sup> Only DN 32, 40, 65 and 125 are available for flanges according to AS.

<sup>3)</sup> PN 10/16

<sup>4)</sup> PN 25, JIS 10K/20K

All dimensions in [mm]

*Dimensions (US units)*

DN <sup>1)</sup> ANSI	A	B	C	D	E	t
1"	1.02	2.44	3.05	3.44	0.26	0.08
1½"	1.61	3.23	3.98	4.06		
2"	2.05	3.98	4.55	4.25		
3"	3.15	5.16	6.08	5.31		
4"	4.09	6.14	7.34	6.02		
6"	6.22	8.54	10.08	7.24		
8"	8.11	10.5	11.3	8.07		
10"	10.2	12.9	14.1	9.45		
12"	12.3	14.8	16.3	10.8		
14"	13.5	17.1	18.9	14.4	0.35	
15"	15.45	18.9	21.3	15.6		
16"	15.45	18.9	21.3	15.6		
18"	17.3	21.2	23.0	16.4		
20"	19.4	23.3	25.6	18.1		
24"	23.4	27.3	30.1	20.6		

<sup>1)</sup> Ground disks can be used for all flange standards/pressure ratings.  
All dimensions in [inch]

## Weight

Weight in SI units

Weight data in kg											
Diameter		Compact version			Remote version (without cable)						
[mm]	[inch]	EN (DIN) / AS <sup>1)</sup>	JIS	ANSI / AWWA	EN (DIN) / AS <sup>1)</sup>	Sensor		Transmitter Wall housing			
						JIS	ANSI / AWWA				
25	1"	PN 40	5.7	5.7	5.7	PN 40	5.3	5.3	3.1		
32	–		6.4	5.7	–		6.0	5.3		–	
40	1½"		7.8	6.7	7.8		7.4	6.3		7.4	
50	2"		9.0	7.7	9.0		8.6	7.3		8.6	
65	–	PN 16	10.4	9.5	–	PN 16	10.0	9.1		–	
80	3"		12.4	10.9	12.4		12.0	10.5		12.0	
100	4"		14.4	13.1	14.4		14.0	12.7		14.0	
125	–		19.9	19.4	–		19.5	19.0		–	
150	6"	PN 10	23.9	22.9	Class 150	23.5	22.5	Class 150		23.5	
200	8"		43.4	40.3		43.3	43			39.9	43
250	10"		63.4	67.8		73.4	63			67.4	73
300	12"		68.4	70.7		108.4	68			70.3	108
350	14"	PN 6	105	–	175	103	–	173		3.1	
375	15"		120	–	–	118	–	–			
400	16"		120	–	205	118	–	203			
450	18"		161	–	255	159	–	253			
500	20"	156	–	285	154	–	283				
600	24"	208	–	405	206	–	403				
700	28"	304	–	400	302	–	398				
–	30"	–	–	460	–	–	458				
800	32"	357	–	550	355	–	548				
900	36"	485	–	800	483	–	798				
1000	40"	PN 6	589	–	900	587	–	898			
–	42"		–	–	1100	–	–	1098			
1200	48"		850	–	1400	848	–	1398			
–	54"		–	–	2200	–	–	2198			
1400	–	1300	–	–	1298	–	–				
–	60"	–	–	2700	–	–	2698				
1600	–	1700	–	–	1698	–	–				
–	66"	–	–	3700	–	–	3698				
1800	72"	2200	–	4100	2198	–	4098				
–	78"	–	–	4600	–	–	4598				
2000	–	2800	–	–	2798	–	–				

<sup>1)</sup> For flanges to AS, only DN 80, 100, 150 to 400, 500 and 600 are available.

- Transmitter (compact version): 1.8 kg
- Weight data valid for standard pressure ratings and without packaging material



Weight in US units (only ANSI/AWWA)

Diameter		Compact version		Remote version (without cable)	
[mm]	[inch]	ANSI /AWWA		Sensor ANSI / AWWA	Transmitter Wall housing
25	1"	Class 150	12.6	Class 150	11.7
40	1½"		17.2		16.3
50	2"		19.9		19.0
80	3"		27.3		26.5
100	4"		31.8		30.9
150	6"		52.7		51.8
200	8"		95.5		94.8
250	10"		162.1		161.0
300	12"		239.0		238.1
350	14"		380.1		381.5
400	16"		448.5		447.6
450	18"		558.8		557.9
500	20"		624.9		624.0
600	24"		889.5		888.6
700	28"	Class D	878.5	Class D	877.6
–	30"		1010.8		1009.9
800	32"		1209.2		1208.3
900	36"		1760.5		1759.6
1000	40"		1981.0		1980.1
–	42"		2422.0		2421.1
1200	48"		3083.5		3082.6
–	54"		4847.5		4846.6
–	60"		5950.0		5949.1
–	66"		8155.0		8154.1
1800	72"	9037.0	9036.1		
–	78"	10139.0	10139.0		

6.8

- Transmitter (compact version): 4.0 lbs
- Weight data valid for standard pressure ratings and without packaging material

## Measuring tube specifications

Diameter		Pressure rating						Internal diameter			
[mm]	[inch]	EN (DIN)	AS 2129	AS 4087	ANSI	AWWA	JIS	Hard rubber		Polyurethane	
		[bar]			[lbs]			[mm]	[inch]	[mm]	[inch]
25	1"	PN 40	–	–	Cl. 150	–	20 K	–	–	24	0.94
32	–	PN 40	–	–	–	–	20 K	–	–	32	1.26
40	1½"	PN 40	–	–	Cl. 150	–	20 K	–	–	38	1.50
50	2"	PN 40	Table E	PN 16	Cl. 150	–	10 K	50	1.97	50	1.97
65	–	PN 16	–	–	–	–	10 K	66	2.60	66	2.60
80	3"	PN 16	Table E	PN 16	Cl. 150	–	10 K	79	3.11	79	3.11
100	4"	PN 16	Table E	PN 16	Cl. 150	–	10 K	102	4.02	102	4.02
125	–	PN 16	–	–	–	–	10 K	127	5.00	127	5.00
150	6"	PN 16	Table E	PN 16	Cl. 150	–	10 K	156	6.14	156	6.14
200	8"	PN 10	Table E	PN 16	Cl. 150	–	10 K	204	8.03	204	8.03
250	10"	PN 10	Table E	PN 16	Cl. 150	–	10 K	258	10.2	258	10.2
300	12"	PN 10	Table E	PN 16	Cl. 150	–	10 K	309	12.2	309	12.2
350	14"	PN 6	Table E	PN 16	Cl. 150	–	–	342	13.5	342	13.5
375	15"	–	–	PN 16	–	–	–	392	15.4	–	–
400	16"	PN 6	Table E	PN 16	Cl. 150	–	–	392	15.4	392	15.4
450	18"	PN 6	–	–	Cl. 150	–	–	437	17.2	437	17.2
500	20"	PN 6	Table E	PN 16	Cl. 150	–	–	492	19.4	492	19.4
600	24"	PN 6	Table E	PN 16	Cl. 150	–	–	594	23.4	594	23.4
700	28"	PN 6	–	–	–	Class D	–	692	27.2	692	27.2
–	30"	–	–	–	–	Class D	–	742	29.2	742	29.2
800	32"	PN 6	–	–	–	Class D	–	794	31.3	794	31.3
900	36"	PN 6	–	–	–	Class D	–	891	35.1	891	35.1
1000	40"	PN 6	–	–	–	Class D	–	994	39.1	994	39.1
–	42"	–	–	–	–	Class D	–	1043	41.1	1043	41.1
1200	48"	PN 6	–	–	–	Class D	–	1197	47.1	1197	47.1
–	54"	–	–	–	–	Class D	–	1339	52.7	–	–
1400	–	PN 6	–	–	–	–	–	1402	55.2	–	–
–	60"	–	–	–	–	Class D	–	1492	58.7	–	–
1600	–	PN 6	–	–	–	–	–	1600	63.0	–	–
–	66"	–	–	–	–	Class D	–	1638	64.5	–	–
1800	72"	PN 6	–	–	–	Class D	–	1786	70.3	–	–
2000	78"	PN 6	–	–	–	Class D	–	1989	78.3	–	–

**Material**

- Housing: powder-coated die-cast aluminum
- Sensor housing
  - DN 25 to 300 (1 to 12"): powder-coated die-cast aluminum
  - DN 350 to 2000 (14 to 78"): with protective lacquering
- Measuring tube
  - DN ≤ 300 (12"): stainless steel 1.4301 or 1.4306/304L;  
(Flange material: carbon steel with Al/Zn protective coating)
  - DN ≥ 350 (14"): stainless steel 1.4301 or 1.4306/304L;  
(Flange material: carbon steel with protective lacquering)
- Electrodes: 1.4435/316L, Alloy C-22
- Flanges
  - EN 1092-1 (DIN2501): RSt37-2 (S235JRG2); C22, Fe 410W B  
(DN ≤ 300 (12"): with Al/Zn protective coating; DN ≥ 350 (14") with protective lacquering)
  - ANSI: A105  
(DN ≤ 300 (12"): with Al/Zn protective coating; DN ≥ 350 (14") with protective lacquering)
  - AWWA: 1.0425 (with protective lacquering)
  - JIS: RSt37-2 (S235JRG2); HII; 1.0425  
(DN ≤ 300 (12"): with Al/Zn protective coating; DN ≥ 350 (14") with protective lacquering)
  - AS 2129
    - (DN 25, 80, 100, 150...1200 / 1", 3", 4", 6...48"): A105 or RSt37-2 (S235JRG2)
    - (DN 50, 80, 350, 400, 500 / 2", 3", 14", 16", 20"): A105 or St44-2 (S275JR)
  - AS 4087: A105 or St44-2 (S275JR)  
(DN ≤ 300 (12"): with Al/Zn protective coating; DN ≥ 350 (14") with protective lacquering)
- Seals: to DIN EN 1514-1
- Ground disks: 1.4435/316L or Alloy C-22

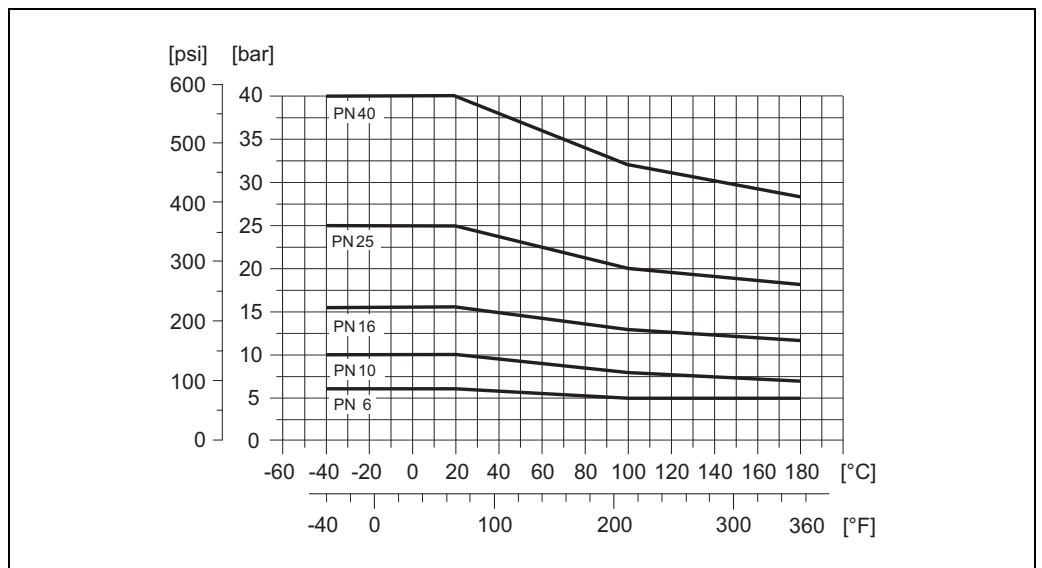
**Material load diagram**

Caution!

The following diagrams contain material load diagrams (reference curves) for flange materials with regard to the medium temperature. However, the maximum medium temperatures permitted always depend on the lining material of the sensor and/or the sealing material.

**Flange connection to EN 1092-1 (DIN 2501)**

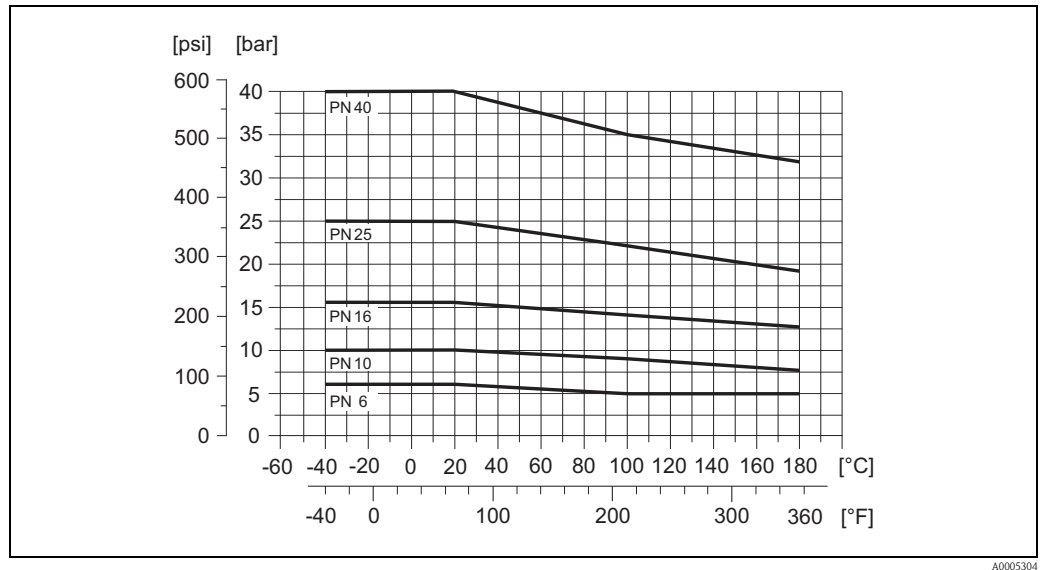
Material: RSt37-2 (S235JRG2) / C22 / Fe 410W B



A0005594

**Flanschanschluss nach EN 1092-1 (DIN 2501)**

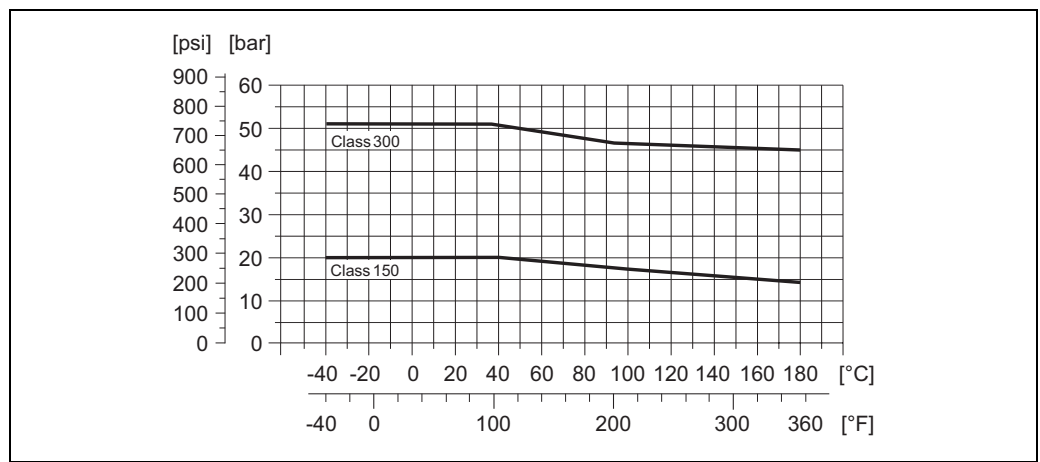
Werkstoff: 316L / 1.4571



A0005304

**Flange connection to ANSI B16.5**

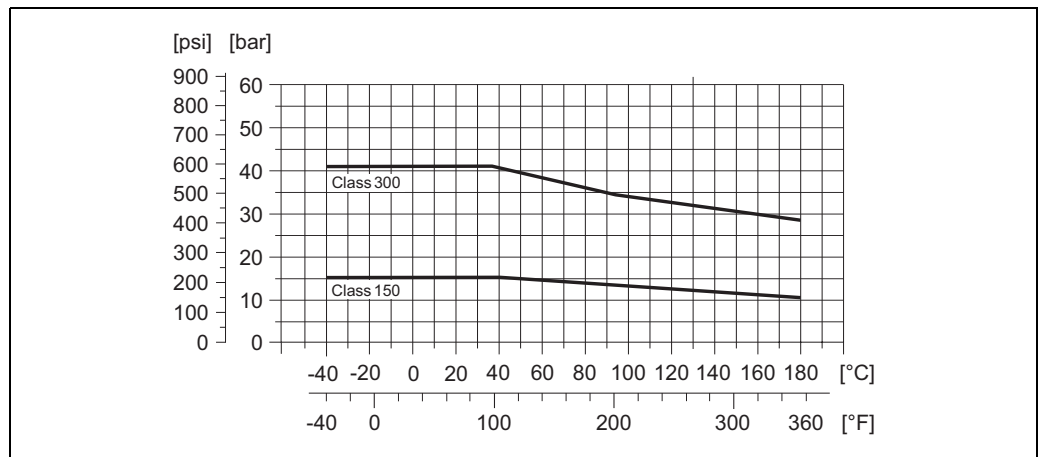
Material: A 105



A0003226

**Flanschanschluss nach ANSI B16.5**

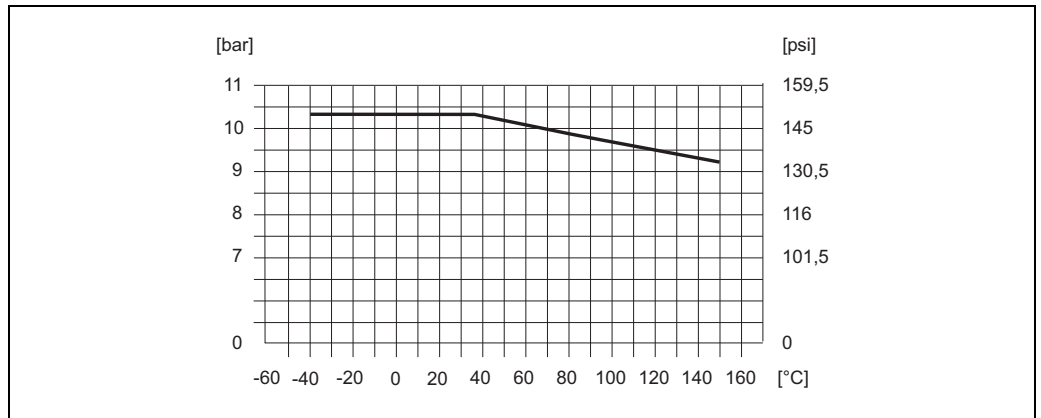
Werkstoff: F316L



A0005307

**Flange connection to AWWA C207, Class D**

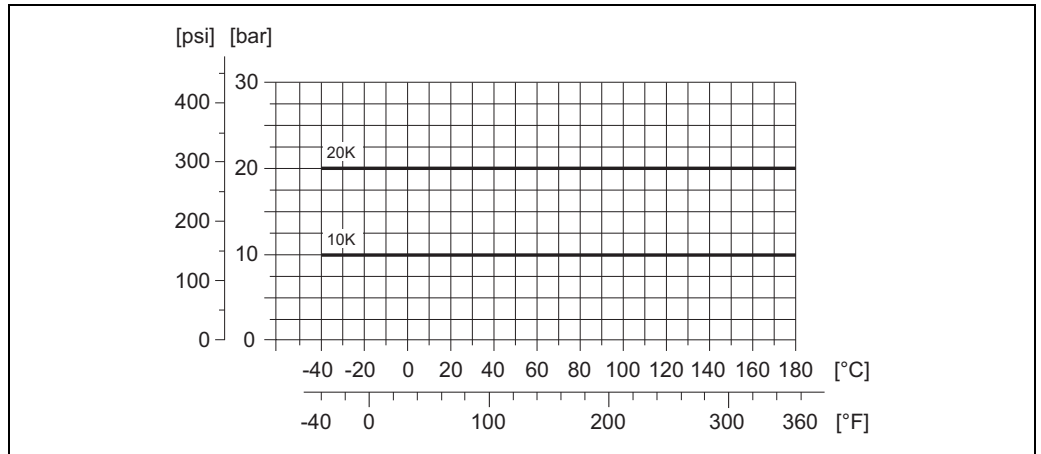
Material: 1.0425



A0005592

**Flange connection to JIS B2220**

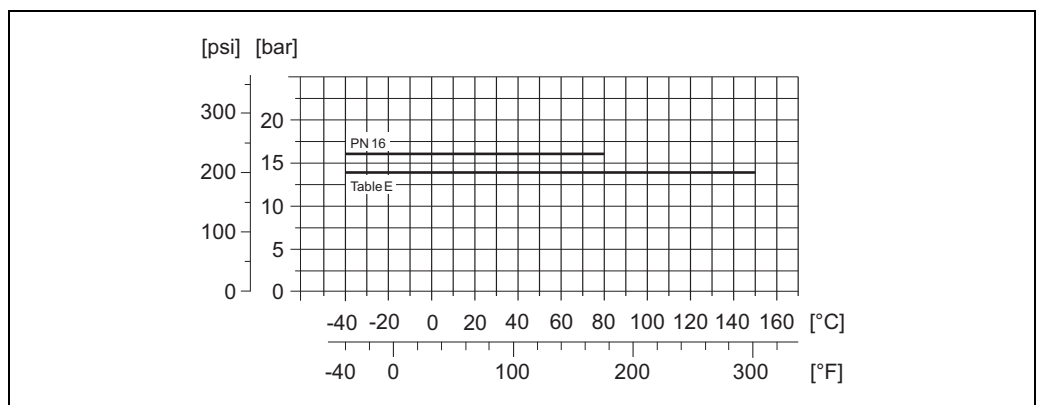
Material: RSt37-2 (S235)RG2 / HII / 1.0425 / 316L



A0005228

**Flange connection to AS 2129 Table E or AS 4087 PN 16**

Material: A105 / RSt37-2 (S235)RG2 / St44-2 (S275)R



A0005595

**Fitted electrodes**

Measuring electrodes, reference electrodes and empty pipe detection electrodes available as standard with:

- 1.4435
- Alloy C-22

<b>Process connections</b>	<p>Flange connection:</p> <ul style="list-style-type: none"> <li>■ EN 1092-1 (DIN 2501), DN ≤ 300 (12") form A, DN ≥ 350 (14") form B (Dimensions to DIN 2501, DN 65 PN 16 and DN 600 (24") PN 16 exclusively to EN 10921)</li> <li>■ ANSI B16.5</li> <li>■ AWWA C 207, Class D</li> <li>■ JIS B2220</li> <li>■ AS 2129 Table E</li> <li>■ AS 4087 PN 16</li> </ul>
----------------------------	---

<b>Surface roughness</b>	Electrodes with 1.4435 (AISI 316L), Alloy C-22: ≤ 0.3 to 0.5 μm (12 to 20 μin) (All data refer to parts in contact with medium)
--------------------------	--

## Human interface

<b>Display elements</b>	<ul style="list-style-type: none"> <li>■ Liquid crystal display: unilluminated, two-line, 16 characters per line</li> <li>■ Display (operating mode) preconfigured: volume flow and totalizer status</li> <li>■ 1 totalizer</li> </ul>
-------------------------	--

<b>Operating elements</b>	Local operation via three keys (◀, ▶, ⏏)
---------------------------	--

<b>Remote operation</b>	Operation via HART protocol and FieldCare
-------------------------	---

## Certificates and approvals

<b>CE mark</b>	The measuring system is in conformity with the statutory requirements of the EC Directives. Endress+Hauser confirms successful testing of the device by affixing to it the CE mark.
----------------	---

<b>C-tick mark</b>	The measuring system meets the EMC requirements of the "Australian Communications and Media Authority (ACMA)".
--------------------	--

<b>Ex approval</b>	Information about currently available Ex versions (FM, CSA etc.) can be supplied by your Endress+Hauser Sales Center on request. All explosion protection data are given in a separate documentation which is available upon request.
--------------------	---

<b>Other standards and guidelines</b>	<ul style="list-style-type: none"> <li>■ EN 60529 Degrees of protection by housing (IP code).</li> <li>■ EN 61010 Protection Measures for Electrical Equipment for Measurement, Control, Regulation and Laboratory Procedures.</li> <li>■ IEC/EN 61326 "Emission in accordance with requirements for Class A". Electromagnetic compatibility (EMC requirements).</li> <li>■ ANSI/ISA-S82.01 Safety Standard for Electrical and Electronic Test, Measuring, Controlling and related Equipment – General Requirements. Pollution degree 2, Installation Category II.</li> <li>■ CAN/CSA-C22.2 No. 1010.1-92 Safety requirements for Electrical Equipment for Measurement and Control and Laboratory Use. Pollution degree 2, Installation Category II.</li> </ul>
---------------------------------------	---

<b>Pressure measuring device approval</b>	Measuring devices with a nominal diameter smaller than or equal to DN 25 correspond to Article 3(3) of the EC Directive 97/23/EC (Pressure Equipment Directive) and have been designed and manufactured according to good engineering practice. Where necessary (depending on the medium and process pressure), there are additional optional approvals to Category II/III for larger nominal diameters.
---	--

## Ordering information

Your Endress+Hauser service organization can provide detailed ordering information and information on the order codes on request.

## Accessories

Various accessories, which can be ordered separately from Endress+Hauser, are available for the transmitter and the sensor. Your Endress+Hauser service organization can provide detailed information on the order codes in question.

## Documentation

- System Information Promag 10 (SI042D/06)
- Operating Instructions Promag 10 (BA082D/06)

## Registered trademarks

KALREZ® and VITON®

Registered trademarks of E.I. Du Pont de Nemours & Co., Wilmington, USA

TRI-CLAMP®

Registered trademark of Ladish & Co., Inc., Kenosha, USA

HART®

Registered trademark of the HART Communication Foundation, Austin, USA

FieldCare®, Fieldcheck®, Field Xpert™, Applicator®

Registered or registration-pending trademarks of Endress+Hauser Flowtec AG, Reinach, CH

---

## Instruments International

Endress+Hauser  
Instruments International AG  
Kaegenstrasse 2  
4153 Reinach  
Switzerland

Tel. +41 61 715 81 00  
Fax +41 61 715 25 00  
[www.endress.com](http://www.endress.com)  
[info@ii.endress.com](mailto:info@ii.endress.com)

**Endress+Hauser**   
People for Process Automation