

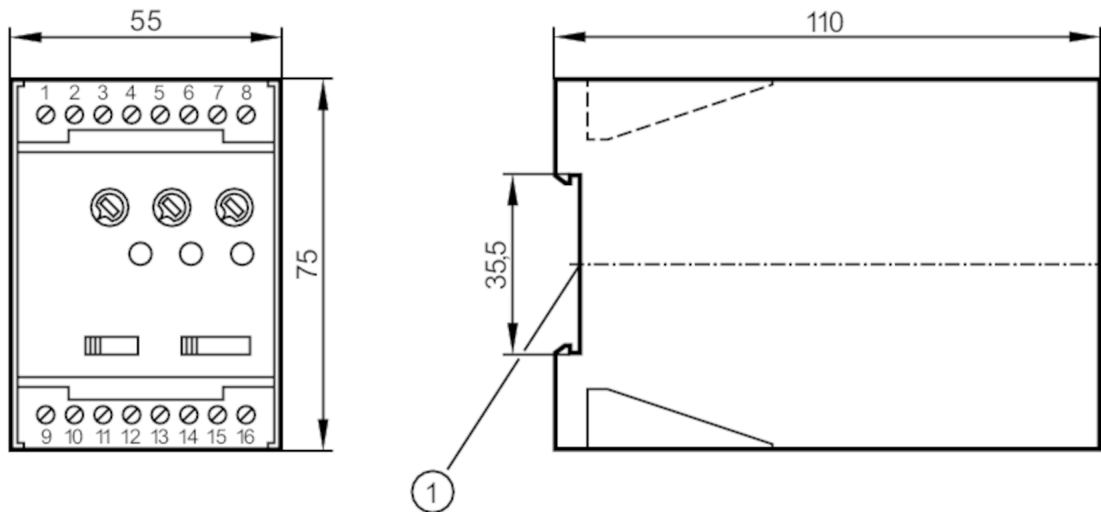


Evaluation unit for speed monitoring

D100/230VAC

Article no longer available - archive entry

replaced by: DD0203 – Discontinuation date: 31.03.2015



1 Mounting on DIN rail



Application

Application

universal evaluation of pulse sequences with regard to overspeed and underspeed; Rotational speed monitoring

Electrical data

Nominal voltage AC	[V]	< 230
Nominal voltage DC	[V]	24
Nominal voltage tolerance	[%]	10
Nominal voltage tolerance 2	[%]	10
Nominal frequency AC	[Hz]	50...60
Auxiliary energy for sensors DC	[V]	24; (≤ 30 mA)

Inputs / outputs

Number of inputs and outputs Number of relay outputs: 1

Outputs

Number of relay outputs 1
 Contact rating 8 A / 1250 VA / 250 V AC

Monitoring range

Sensing range adjustable no

Measuring/setting range

Setting range [Imp/min] 5...5000

Accuracy / deviations

Hysteresis [% of Sr] 5...100
 Repeatability [% of Sr] 1

DD0001



Evaluation unit for speed monitoring

D100/230VAC

Reaction times		
Start-up delay	[s]	0.5...15
Software / programming		
Adjustment of the switch point		fine adjustment within the range with potentiometer
Operating conditions		
Ambient temperature	[°C]	-20...70
Protection		IP 40
Protection rating terminals		IP 20
Tests / approvals		
MTTF	[years]	468
Mechanical data		
Weight	[g]	0.42
Housing		housing for DIN rail mounting
Dimensions	[mm]	75 x 55 x 110
Material		plastics
Displays / operating elements		
Display	Switching status	LED, green
	Power	1 x LED, green
Remarks		
Notes		Discontinued article

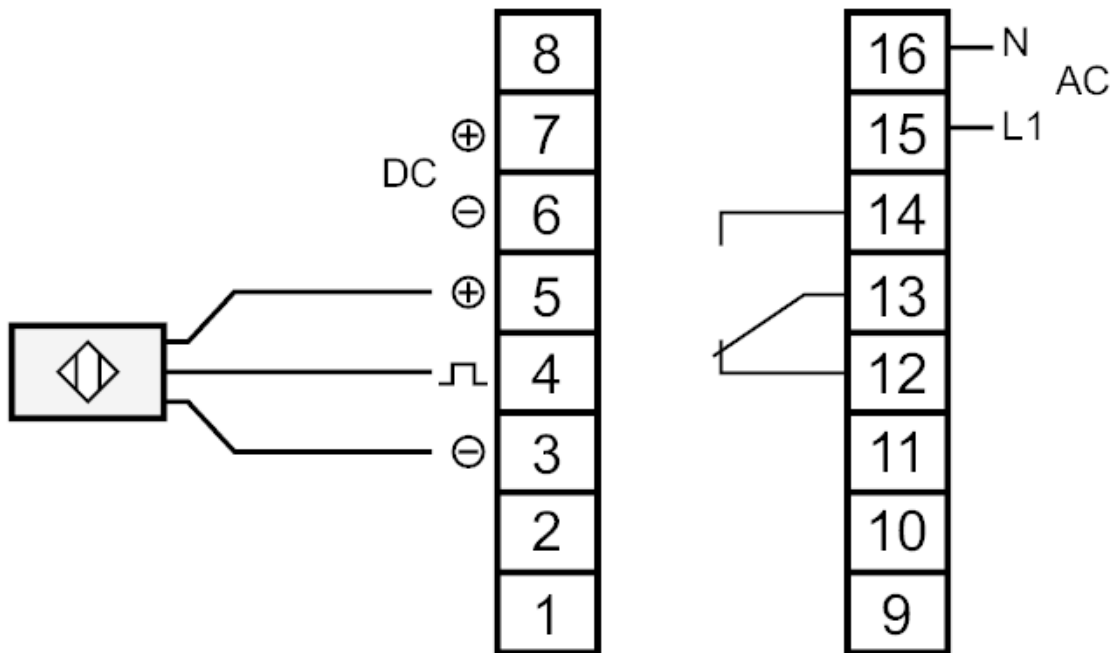


Evaluation unit for speed monitoring

D100/230VAC

Electrical connection

Connection



01:	not used
02:	not used
03:	DC Sensor supply (-)
04:	sensor signal pnp
05:	DC Sensor supply (+)
06:	DC Supply voltage (-)
07:	DC Supply voltage (+)
08:	not used
09:	not used
10:	not used
11:	not used
12:	Relay normally closed
13:	Relay common
14:	Relay normally open
15:	AC Supply voltage (L)
16:	AC Supply voltage (N)

Article no longer available - archive entry

DD0001



Evaluation unit for speed monitoring

D100/230VAC

replaced by: DD0203 – Discontinuation date: 31.03.2015