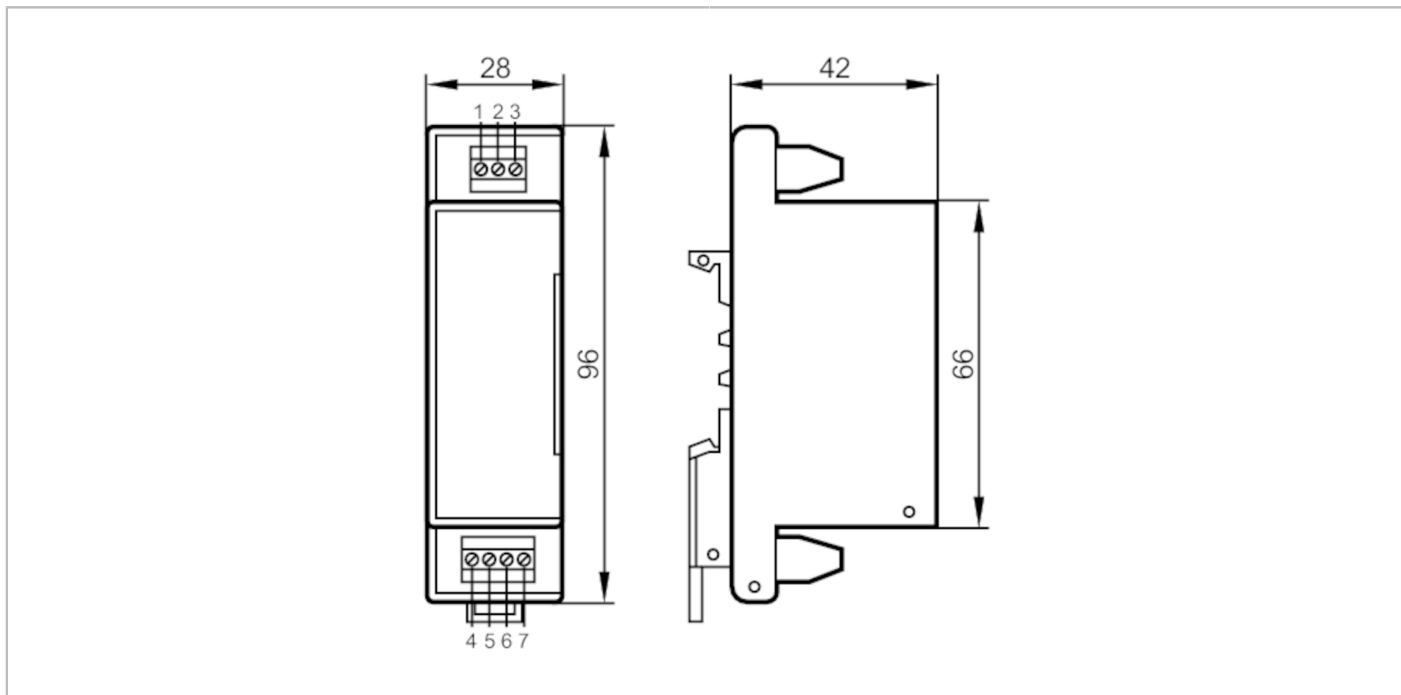


E80100



Pulse divider

PULSE DIVIDER/10:1



Application	
Application	adaptation of fast pulse sequences to the setting ranges of the control monitor or slow plc inputs; averaging; Ratio input/output pulse 10:1
Electrical data	
Operating voltage tolerance [%]	10
Operating voltage [V]	24 DC
Current consumption [mA]	< 13
Monitoring range	
Sensing range adjustable	no
Operating conditions	
Ambient temperature [°C]	-20...70
Tests / approvals	
MTTF [years]	2154
Mechanical data	
Weight [g]	79.5
Dimensions [mm]	96 x 28 x 42
Material	plastics

E80100



Pulse divider

PULSE DIVIDER/10:1

Electrical connection

Connection

