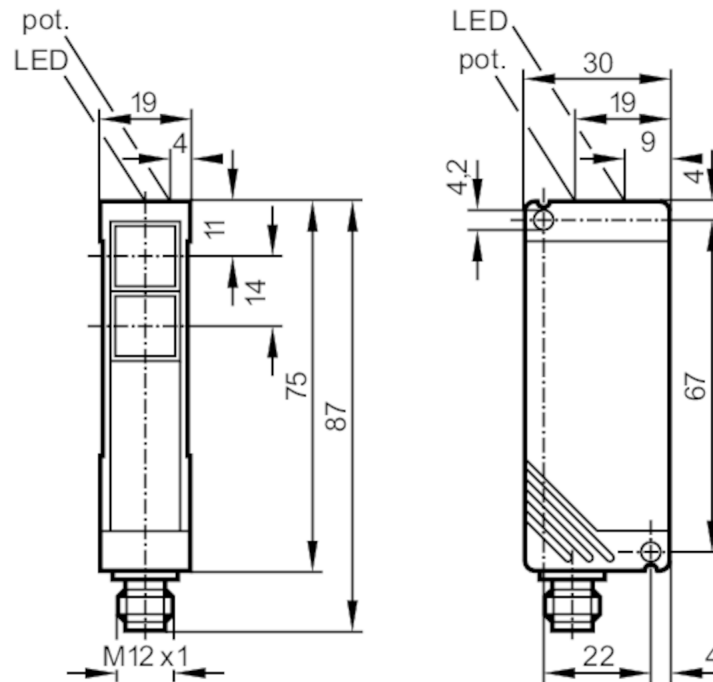


OT5013



Retro-reflective sensor

OTR-FPKG/US-100-IPF



receiver in lower lens
transmitter in upper lens



Application

Function principle: Retro-reflective sensor

Electrical data

Operating voltage [V]	10...50 DC
Current consumption [mA]	40; ((24 V))
Protection class	II
Reverse polarity protection	yes
Type of light	infrared light
Wave length [nm]	880

Outputs

Electrical design	PNP
Output function	light-on/dark-on mode; (programmable)
Max. voltage drop switching output DC [V]	2.5
Permanent current rating of switching output DC [mA]	250
Switching frequency DC [Hz]	150
Short-circuit protection	yes
Type of short-circuit protection	pulsed
Overload protection	yes

OT5013



Retro-reflective sensor

OTR-FPKG/US-100-IPF

Detection zone	
Range referred to prismatic reflector [m]	0.15...5; (Prismatic reflector Ø 80 E20005)
Range adjustable	yes
Max. light spot diameter [mm]	262
Light spot dimensions refer to	at maximum range

Operating conditions	
Ambient temperature [°C]	-25...60
Protection	IP 65

Tests / approvals	
EMC	EN 60947-5-2
MTTF [years]	583

Mechanical data	
Weight [g]	161.5
Housing	rectangular
Dimensions [mm]	75 x 19 x 30
Materials	PBT
Lens material	PMMA
Lens alignment	side lens

Displays / operating elements		
Display	switching status	1 x LED, yellow
	operation	1 x LED, green

Accessories	
Accessories (supplied)	Angle bracket: 1 x, E20461 screwdrivers

Remarks	
Pack quantity	1 pcs.

Electrical connection

Connector: 1 x M12

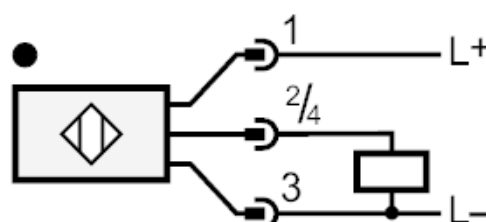
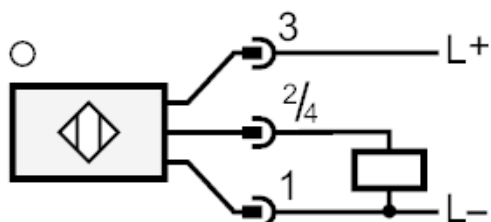




Retro-reflective sensor

OTR-FPKG/US-100-IPF

Connection



Diagrams and graphs

excess gain graph

