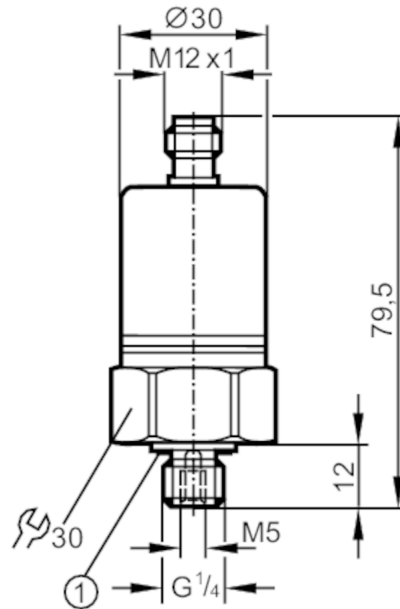


PA3524



Pressure transmitter with ceramic measuring cell

PA-010-RBG14-A-ZVG/US/ IV



1 sealing



Application

Media		liquids and gases
Medium temperature	[°C]	-25...90; (on request: -40...90 °C)
Pressure rating	[bar]	75
Min. bursting pressure	[bar]	150
Type of pressure		relative pressure

Electrical data

Operating voltage	[V]	9.6...32 DC
Min. insulation resistance	[MΩ]	100; (500 V DC)
Protection class		III
Reverse polarity protection		yes

Inputs / outputs

Number of inputs and outputs		Number of analog outputs: 1
------------------------------	--	-----------------------------

Outputs

Total number of outputs		1
Output signal		analog signal
Number of analog outputs		1
Analog current output	[mA]	4...20
Max. load	[Ω]	720; (U _b = 24 V; (U _b - 9,6 V) / 20 mA)
Overload protection		yes

Measuring/setting range

Measuring range	[bar]	0...10
-----------------	-------	--------

PA3524



Pressure transmitter with ceramic measuring cell

PA-010-RBG14-A-ZVG/US/ IV

Accuracy / deviations		
Repeatability	[% of the span]	< 0,1; (with temperature fluctuations < 10 K)
Characteristics deviation	[% of the span]	< ± 0,25 (BFSL) / < ± 0,5 (LS); (BFSL = Best Fit Straight Line; LS = limit value setting)
Long-term stability	[% of the span]	< ± 0,05; (per 6 months)
Temperature coefficient zero point	[% of the span / 10 K]	< ± 0,1; (0...80 °C)
Temperature coefficient span	[% of the span / 10 K]	< ± 0,2; (0...80 °C)

Reaction times		
Step response time analogue output	[ms]	3

Operating conditions		
Ambient temperature	[°C]	-25...80
Storage temperature	[°C]	-40...100
Protection		IP 65

Tests / approvals		
EMC	EN 61000-4-2 ESD	4 kV CD / 8 kV AD
	EN 61000-4-3 HF radiated	30 V/m
	EN 61000-4-4 Burst	2 kV
	EN 61000-4-6 HF conducted	10 V
	radiation of interference	according to the automotive directive 2004/104/EC
	CISPR 25	
	noise immunity	according to the automotive directive 2004/104/EC
Shock resistance	ISO 11452-2 HF radiated	100 V/m
	ISO 7637-2 pulse	severity level 4
	DIN EN 60068-2-27	50 g (11 ms)
Vibration resistance	DIN EN 61373	Category 3
	DIN EN 60068-2-6	20 g (10...2000 Hz)
	DIN EN 61373	Category 2
MTTF	[years]	506
Railway applications	DIN EN 50155 / IEC 60571	Klasse T3, C1, S1

Mechanical data		
Weight	[g]	216.5
Material		stainless steel (1.4404 / 316L); FKM; PA; EPDM/X
Materials (wetted parts)		stainless steel (1.4305 / 303); ceramics; sealing: FKM DIN 3869-14
Min. pressure cycles		100 million
Process connection		threaded connection G 1/4 external thread Internal thread M5

Remarks		
Pack quantity		1 pcs.

Electrical connection		
Connector: 1 x M12; Contacts: gold-plated		

PA3524



Pressure transmitter with ceramic measuring cell

PA-010-RBG14-A-ZVG/US/ IV



Connection

