

PB5000

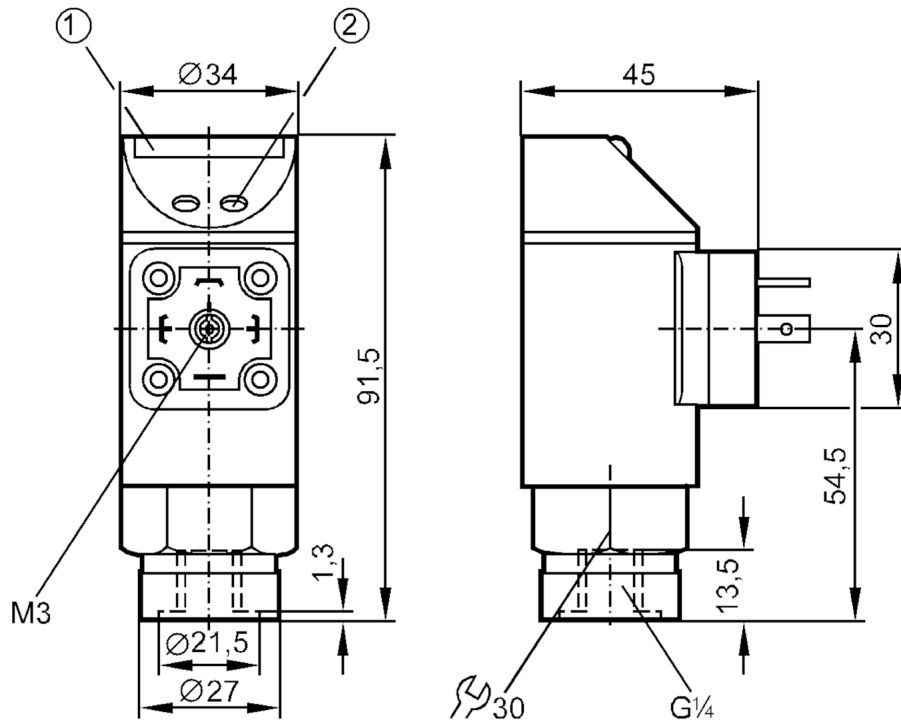


Pressure sensor with LED bar display

PB-400-SBR14-HFPKG/SS/ IV

Article no longer available - archive entry

replaced by: PN5000



- 1 LED display
- 2 Programming button



Application

Media	liquids and gases
Conditionally suitable for	For gaseous media the application is limited to max. 25 bar.
Medium temperature [°C]	-25...80
Pressure rating [bar]	600
Min. bursting pressure [bar]	1000
Type of pressure	relative pressure

Electrical data

Operating voltage [V]	18...30 DC
Current consumption [mA]	< 50
Min. insulation resistance [MΩ]	100; (500 V DC)
Protection class	III
Reverse polarity protection	yes
Power-on delay time [s]	0.2
Integrated watchdog	yes

PB5000



Pressure sensor with LED bar display

PB-400-SBR14-HFPKG/SS/ /V

Inputs / outputs		
Number of inputs and outputs	Number of digital outputs: 1	
Outputs		
Total number of outputs	1	
Output signal	switching signal	
Electrical design	PNP	
Number of digital outputs	1	
Output function	normally open / closed; (configurable)	
Max. voltage drop switching output DC [V]	2	
Permanent current rating of switching output DC [mA]	250	
Switching frequency DC [Hz]	10	
Short-circuit protection	yes	
Type of short-circuit protection	yes (non-latching)	
Overload protection	yes	
Measuring/setting range		
Measuring range [bar]	0...400	
Set point SP [bar]	20...400	
Reset point rP [bar]	12...392	
in steps of [bar]	4	
Note on hysteresis	adjustable	
Accuracy / deviations		
Switch point accuracy [% of the final value]	$< \pm 2,0$	
Repeatability [% of the final value]	$< \pm 0,25$; (with temperature fluctuations < 10 K)	
Temperature drift per 10 K	$< \pm 0.3$	
Software / programming		
Adjustment of the switch point	Programming button	
Operating conditions		
Ambient temperature [°C]	-25...80	
Storage temperature [°C]	-40...100	
Protection	IP 65	
Tests / approvals		
EMC	EN 61000-4-2 ESD	4 kV CD / 8 kV AD
	EN 61000-4-3 HF radiated	10 V/m
	EN 61000-4-4 Burst	2 kV
	EN 61000-4-6 HF conducted	10 V
Shock resistance	DIN IEC 68-2-27	50 g (11 ms)
Vibration resistance	DIN IEC 68-2-6	20 g (10...2000 Hz)

PB5000



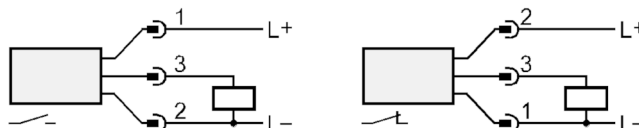
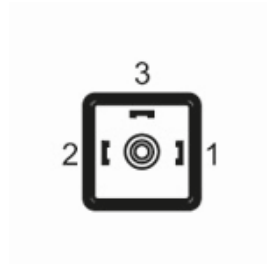
Pressure sensor with LED bar display

PB-400-SBR14-HFPKG/SS/ IV

Mechanical data		
Material	EPDM/X; FKM; NBR; PA; PBT; PC; PTFE; stainless steel (1.4301 / 304)	
Materials (wetted parts)	FKM; ceramics; stainless steel (1.4305 / 303)	
Min. pressure cycles	100 million	
Process connection	threaded connection G 1/4 Internal thread	
Displays / operating elements		
Display	Switching status	LED, yellow
	Measured values	10 x LED, green Resolution 10 % of the final value
Remarks		
Pack quantity	1 pcs.	

Electrical connection

Connector: 1 x valve type A DIN (DIN EN 175301-803)



Article no longer available - archive entry

replaced by: PN5000