

PB7023

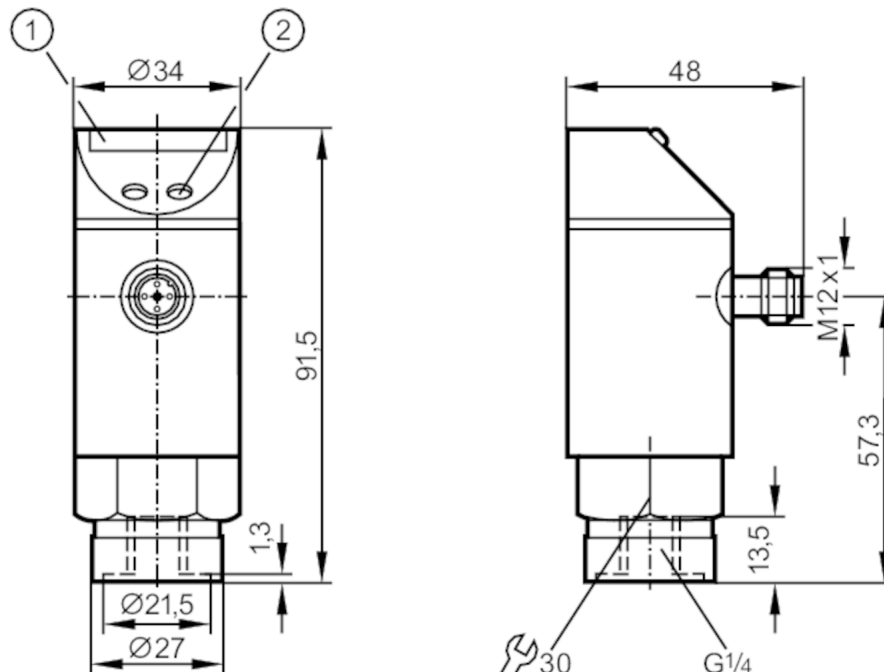


Pressure sensor with LED bar display

PB-025-SBR14-QFPKG/US/ IV

Article no longer available - archive entry

replaced by: PN7003



- 1 LED display
- 2 Programming button



Application

Media	liquids and gases
Medium temperature [°C]	-25...80
Pressure rating [bar]	100
Min. bursting pressure [bar]	350
Type of pressure	relative pressure

Electrical data

Operating voltage [V]	18...30 DC
Current consumption [mA]	< 50
Min. insulation resistance [MΩ]	100; (500 V DC)
Protection class	III
Reverse polarity protection	yes
Power-on delay time [s]	0.2
Integrated watchdog	yes

Inputs / outputs

Number of inputs and outputs	Number of digital outputs: 2
------------------------------	------------------------------

PB7023



Pressure sensor with LED bar display

PB-025-SBR14-QFPKG/US/ IV

Outputs		
Total number of outputs		2
Output signal		switching signal
Electrical design		PNP
Number of digital outputs		2
Output function		normally open / closed; (configurable)
Max. voltage drop switching output DC [V]		2
Permanent current rating of switching output DC [mA]		250
Switching frequency DC [Hz]		10
Short-circuit protection		yes
Type of short-circuit protection		yes (non-latching)
Overload protection		yes
Measuring/setting range		
Measuring range [bar]		0...25
Set point SP [bar]		1.25...25
in steps of [bar]		0.25
Hysteresis [bar]		0.5
Accuracy / deviations		
Switch point accuracy [% of the final value]		< ± 2,0
Repeatability [% of the final value]		< ± 0,25; (with temperature fluctuations < 10 K)
Temperature drift per 10 K		< ± 0.3
Software / programming		
Adjustment of the switch point		Programming button
Operating conditions		
Ambient temperature [°C]		-25...80
Storage temperature [°C]		-40...100
Protection		IP 67
Tests / approvals		
EMC	EN 61000-4-2 ESD	4 kV CD / 8 kV AD
	EN 61000-4-3 HF radiated	10 V/m
	EN 61000-4-4 Burst	2 kV
	EN 61000-4-6 HF conducted	10 V
Shock resistance	DIN IEC 68-2-27	50 g (11 ms)
Vibration resistance	DIN IEC 68-2-6	20 g (10...2000 Hz)
Mechanical data		
Material	EPDM/X; FKM; NBR; PBT; PC; stainless steel (1.4301 / 304)	
Materials (wetted parts)	FKM; ceramics; stainless steel (1.4305 / 303)	
Min. pressure cycles	100 million	
Process connection	threaded connection G 1/4 Internal thread	

PB7023



Pressure sensor with LED bar display

PB-025-SBR14-QFPKG/US/ IV

Displays / operating elements

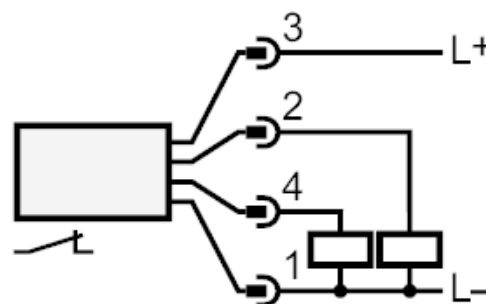
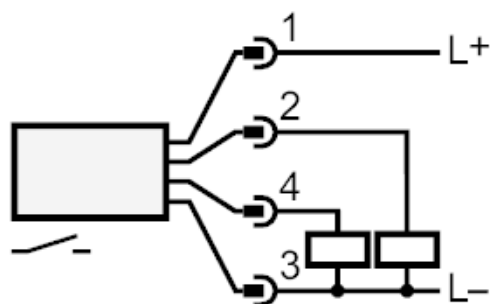
Display	Switching status	2 x LED, yellow
	Measured values	10 x LED, green Resolution 10 % of the final value

Remarks

Pack quantity	1 pcs.
---------------	--------

Electrical connection

Connector: 1 x M12



Article no longer available - archive entry

replaced by: PN7003