

PI2954

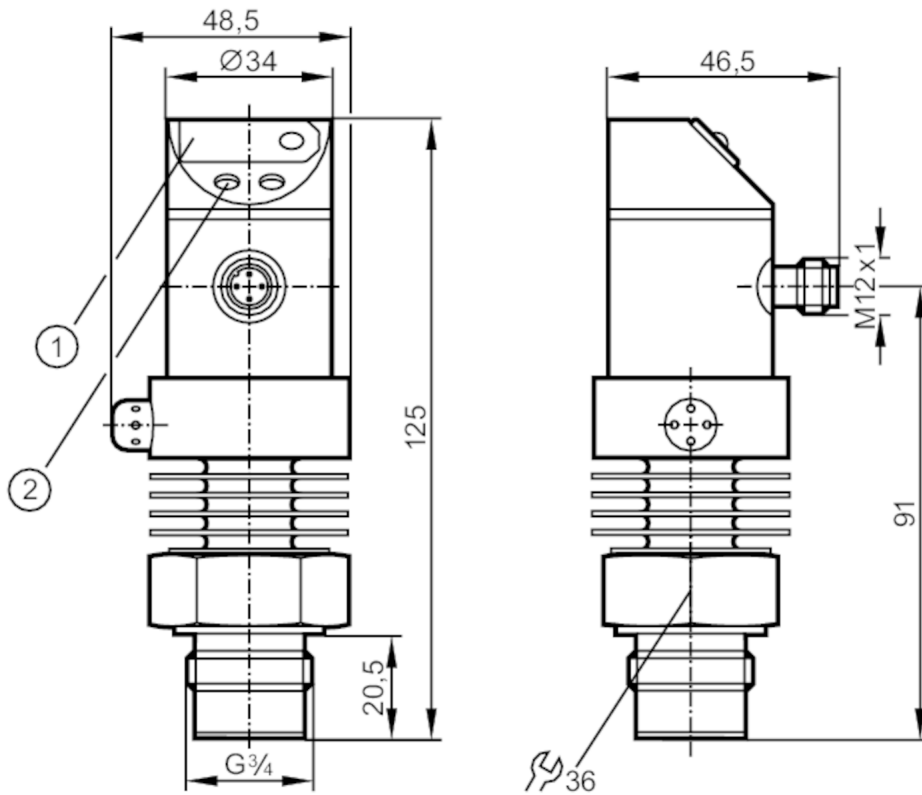


Flush pressure sensor with display

PI-010-REB34-MFRKG/US/ IP

Article no longer available - archive entry

Alternative article: PI2994 When selecting an alternative article and accessories please note that technical data may differ! – When selecting an alternative article and accessories please note that technical data may differ!



- 1 7-segment LED display
- 2 programming button



Application

Application	hygienic systems		
Installation	freely rotatable housing 350°		
Media	viscous media and liquids with suspended particles; liquids and gases		
Medium temperature [°C]	-25...125; (145 max. 1h)		
Pressure rating	50 bar	725 psi	5000 kPa
Min. bursting pressure	150 bar	2175 psi	15000 kPa
Type of pressure	relative pressure		
No dead space	yes		

Electrical data

Operating voltage [V]	20...30 DC		
Current consumption [mA]	< 60		
Min. insulation resistance [MΩ]	100; (500 V DC)		
Protection class	III		
Reverse polarity protection	yes		
Power-on delay time [s]	0.2		
Integrated watchdog	yes		



Flush pressure sensor with display

PI-010-REB34-MFRKG/US/ IP

Inputs / outputs			
Number of inputs and outputs	Number of digital outputs: 2; Number of analogue outputs: 1		
Outputs			
Total number of outputs	2		
Output signal	switching signal; analogue signal; (configurable)		
Electrical design	PNP/NPN		
Number of digital outputs	2		
Output function	normally open / normally closed; (parameterisable)		
Max. voltage drop switching output DC [V]	2		
Permanent current rating of switching output DC [mA]	250		
Switching frequency DC [Hz]	< 170		
Number of analogue outputs	1		
Analogue current output [mA]	4...20; (scalable 1:4)		
Max. load [Ω]	(U _b - 10 V) / 20 mA		
Analogue voltage output [V]	0...10; (scalable 1:4)		
Min. load resistance [Ω]	2000		
Short-circuit protection	yes		
Type of short-circuit protection	pulsed		
Overload protection	yes		
Measuring/setting range			
Measuring range	-0.5...10 bar	-7...145 psi	-50...1000 kPa
Set point SP	-0.45...9.99 bar	-7...145 psi	-45...999 kPa
Reset point rP	-0.5...9.94 bar	-7...144 psi	-50...994 kPa
Analogue start point	-0.5...7.49 bar	-7...109 psi	-50...749 kPa
Analogue end point	2...9.99 bar	29...145 psi	200...999 kPa
In steps of	0.01 bar	1 psi	1 kPa
Accuracy / deviations			
Repeatability [% of the span]	< ± 0,1; (with temperature fluctuations < 10 K; Turn down 1:1)		
Characteristics deviation [% of the span]	< ± 0,6; (Turn down 1:1 linearity, incl. hysteresis and repeatability limit value setting to DIN 16086)		
Linearity deviation [% of the span]	< ± 0,5; (Turn down 1:1)		
Hysteresis deviation [% of the span]	< ± 0,1; (Turn down 1:1)		
Long-term stability [% of the span]	< ± 0,1; (Turn down 1:1; per year)		
Temperature coefficient zero point [% of the span / 10 K]	< ± 0,1; (0...80 °C)		
Temperature coefficient span [% of the span / 10 K]	< ± 0,2; (0...80 °C)		

PI2954



Flush pressure sensor with display

PI-010-REB34-MFRKG/US/ IP

Response times		
Response time	[ms]	< 3
Damping for the switching output dAP	[s]	0...4
Damping for the analogue output dAA in steps	[s]	0 - 0,1 - 0,5 - 2
Max. response time analogue output	[ms]	3

Software / programming	
Parameter setting options	hysteresis / window; normally open / normally closed; switching logic; current/voltage output; Damping; adaptation of displayed values; display can be rotated and switched off; Display unit; zero point; span

Operating conditions		
Ambient temperature	[°C]	-25...80
Storage temperature	[°C]	-40...100
Protection		IP 67

Tests / approvals		
EMC	EN 61000-4-2 ESD	4 kV CD / 8 kV AD
	EN 61000-4-3 HF radiated	10 V/m
	EN 61000-4-4 Burst	2 kV
	EN 61000-4-6 HF conducted	10 V
Shock resistance	DIN IEC 68-2-27	50 g (11 ms)
Vibration resistance	DIN IEC 68-2-6	20 g (10...2000 Hz)

Mechanical data	
Materials	stainless steel (1.4404 / 316L); PBT; PC; PEI; EPDM/X; FKM
Materials (wetted parts)	stainless steel (1.4404 / 316L); ceramics (99.9 % Al ₂ O ₃); PTFE; FKM
Min. pressure cycles	100 million
Process connection	threaded connection G 3/4 external thread

Displays / operating elements		
Display	switching status	2 x LED, red
	function display	7-segment LED display
	measured values	7-segment LED display
Display unit	bar; psi; kPa	

Remarks	
Pack quantity	1 pcs.

Electrical connection

Connector: 1 x M12; Contacts: gold-plated



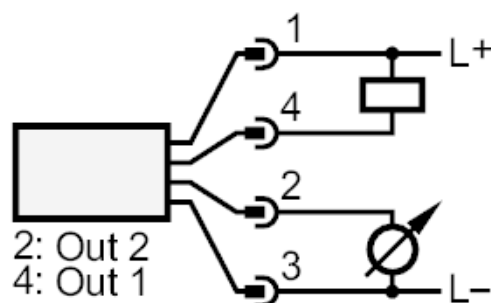
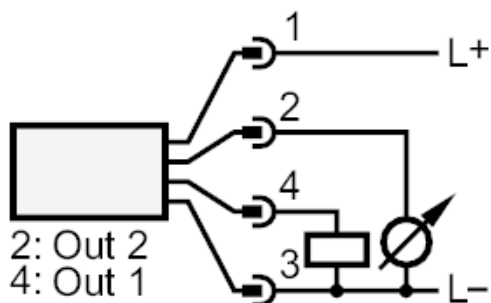
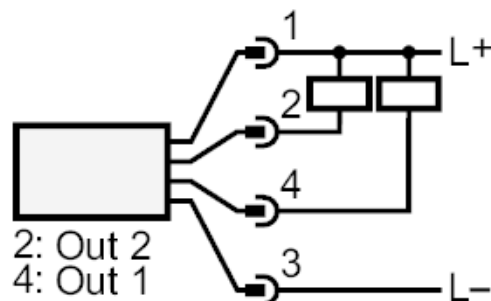
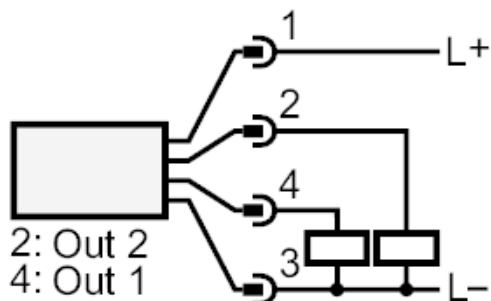
PI2954



Flush pressure sensor with display

PI-010-REB34-MFRKG/US/ IP

Connection



OUT1	switching output
OUT2	switching output
	analogue output

Article no longer available - archive entry

Alternative article: PI2994 When selecting an alternative article and accessories please note that technical data may differ! – When selecting an alternative article and accessories please note that technical data may differ!