

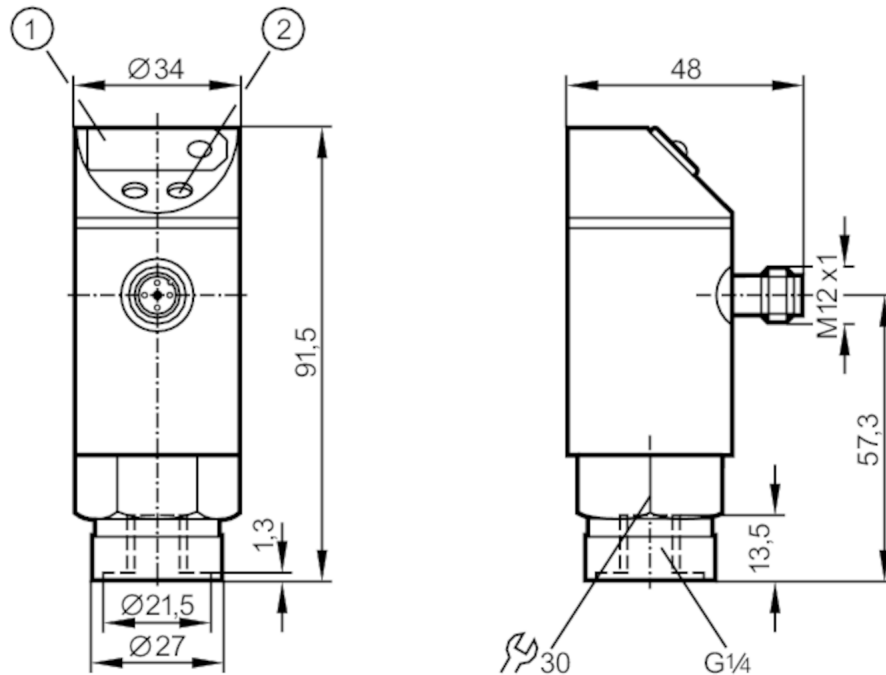
PN5027



Pressure sensor with display

PN-001-RBR14-HFPKG/US/ IV

Article no longer available - archive entry



- 1 7-segment LED display
2 Programming button



Application

| | | |
|------------------------|-------|-------------------|
| Media | | liquids and gases |
| Medium temperature | [°C] | -25...80 |
| Pressure rating | [bar] | 10 |
| Min. bursting pressure | [bar] | 30 |
| Type of pressure | | relative pressure |

Electrical data

| | | |
|-----------------------------|------|-----------------|
| Operating voltage | [V] | 18...30 DC |
| Current consumption | [mA] | < 60 |
| Min. insulation resistance | [MΩ] | 100; (500 V DC) |
| Protection class | | III |
| Reverse polarity protection | | yes |
| Power-on delay time | [s] | 0.2 |
| Integrated watchdog | | yes |

Inputs / outputs

| | | |
|------------------------------|--|------------------------------|
| Number of inputs and outputs | | Number of digital outputs: 1 |
|------------------------------|--|------------------------------|

PN5027



Pressure sensor with display

PN-001-RBR14-HFPKG/US/ IV

Tests / approvals

| | | |
|----------------------|---------------------------|---------------------|
| EMC | EN 61000-4-2 ESD | 4 kV CD / 8 kV AD |
| | EN 61000-4-3 HF radiated | 10 V/m |
| | EN 61000-4-4 Burst | 2 kV |
| | EN 61000-4-6 HF conducted | 10 V |
| Shock resistance | DIN IEC 68-2-27 | 50 g (11 ms) |
| Vibration resistance | DIN IEC 68-2-6 | 20 g (10...2000 Hz) |

Mechanical data

| | |
|--------------------------|--|
| Material | EPDM/X; FKM; PA; PBT; PC; PTFE; stainless steel (1.4301 / 304) |
| Materials (wetted parts) | stainless steel (1.4305 / 303); ceramics; FKM |
| Min. pressure cycles | 100 million |
| Process connection | threaded connection G 1/4 Internal thread |

Displays / operating elements

| | | |
|---------|------------------|-----------------------|
| Display | Switching status | LED, red |
| | Function display | 7-segment LED display |
| | Measured values | 7-segment LED display |

Remarks

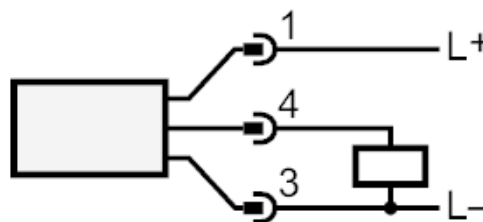
| | |
|---------------|--------|
| Pack quantity | 1 pcs. |
|---------------|--------|

Electrical connection

Connector: 1 x M12; Contacts: gold-plated



Connection



Article no longer available - archive entry