

PN7003

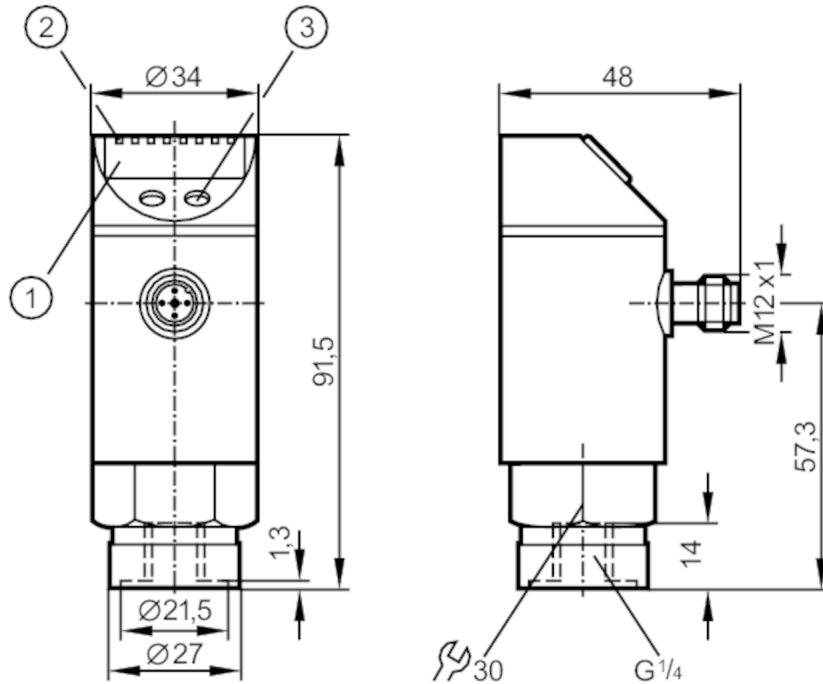


Pressure sensor with display

PN-025-RBR14-QFRKG/US/ IV

Discontinued article

replaced by: PN7093 – Discontinuation date: 31.03.2016



- 1 alphanumeric display 4-digit
- 2 LEDs Display unit / Switching status
- 3 Programming button



Application

Media	liquids and gases		
Medium temperature [°C]	-25...80		
Pressure rating	150 bar	2175 psi	15 MPa
Min. bursting pressure	350 bar	5075 psi	35 MPa
Type of pressure	relative pressure		

Electrical data

Operating voltage [V]	18...36 DC; (according to EN 50178 SELV/PELV)		
Current consumption [mA]	< 35		
Min. insulation resistance [MΩ]	100; (500 V DC)		
Protection class	III		
Reverse polarity protection	yes		
Overvoltage protection	yes; (< 40 V)		
Power-on delay time [s]	0.3		
Integrated watchdog	yes		

Inputs / outputs

Number of inputs and outputs	Number of digital outputs: 2
------------------------------	------------------------------

PN7003



Pressure sensor with display

PN-025-RBR14-QFRKG/US/ /V

Outputs			
Total number of outputs	2		
Output signal	switching signal; IO-Link; (configurable)		
Electrical design	PNP/NPN		
Number of digital outputs	2		
Output function	normally open / closed; (configurable)		
Max. voltage drop switching output DC [V]	2		
Permanent current rating of switching output DC [mA]	250		
Switching frequency DC [Hz]	< 170		
Short-circuit protection	yes		
Type of short-circuit protection	yes (non-latching)		
Measuring/setting range			
Measuring range	0...25 bar	0...363 psi	0...2.5 MPa
Set point SP	0.2...25 bar	4...362 psi	0.02...2.5 MPa
Reset point rP	0.1...24.9 bar	2...360 psi	0.01...2.49 MPa
in steps of	0.1 bar	2 psi	0.01 MPa
Factory setting		SP1 = 6.3 bar SP2 = 18.8 bar	rP1 = 5.8 bar rP2 = 18.3 bar
Accuracy / deviations			
Switch point accuracy [% of the span]	< ± 0,5		
Repeatability [% of the span]	< ± 0,1; (with temperature fluctuations < 10 K)		
Characteristics deviation [% of the span]	< ± 0,25 (BFSL) / < ± 0,5 (LS); (BFSL = Best Fit Straight Line; LS = limit value setting)		
Hysteresis deviation [% of the span]	< ± 0,25		
Long-term stability [% of the span]	< ± 0,05; (per 6 months)		
Temperature coefficient zero point [% of the span / 10 K]	0,2; (-20...80 °C)		
Temperature coefficient span [% of the span / 10 K]	0,2; (-20...80 °C)		
Reaction times			
Delay time programmable dS, dr [s]	0; 0,2...50		
Software / programming			
Parameter setting options	hysteresis / window; normally open / closed; Diagnostic function; switching logic; switch-on/switch-off delay; Damping; Display unit		

PN7003



Pressure sensor with display

PN-025-RBR14-QFRKG/US/ /V

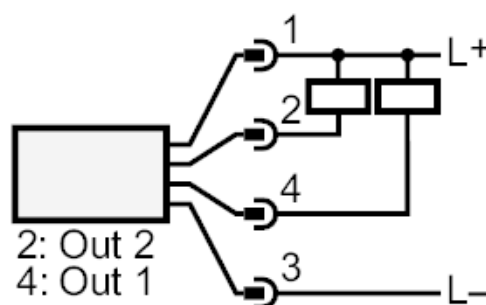
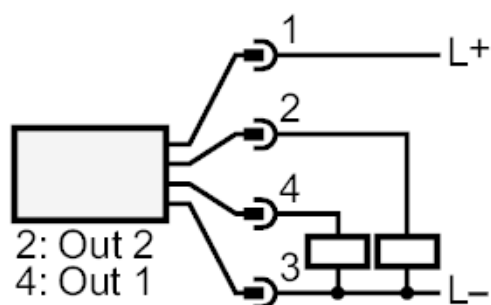
Interfaces		
Communication interface		IO-Link
Transmission type		COM2 (38,4 kBaud)
IO-Link revision		1.1
SDCI standard		IEC 61131-9 CDV
IO-Link device ID		310 d / 00 01 36 h
Profiles		no profile
SIO mode		yes
Required master port class		A
Process data analogue		1
Process data binary		2
Min. process cycle time	[ms]	2.3
Operating conditions		
Ambient temperature	[°C]	-20...80
Storage temperature	[°C]	-40...100
Protection		IP 65
Tests / approvals		
EMC	EN 61000-4-2 ESD	4 kV CD / 8 kV AD
	EN 61000-4-3 HF radiated	10 V/m
	EN 61000-4-4 Burst	2 kV
	EN 61000-4-5 Surge	0,5/1 kV
	EN 61000-4-6 HF conducted	10 V
Shock resistance	DIN IEC 68-2-27	50 g (11 ms)
Vibration resistance	DIN IEC 68-2-6	20 g (10...2000 Hz)
MTTF	[years]	219
Mechanical data		
Weight	[g]	261.5
Material		stainless steel (1.4301 / 304); stainless steel (1.4404 / 316L); PC; PBT; PEI; FKM; PTFE
Materials (wetted parts)		stainless steel (1.4305 / 303); ceramics; FKM
Min. pressure cycles		100 million
Process connection		threaded connection G 1/4 Internal thread
Displays / operating elements		
Display	Display unit	3 x LED, green
	Switching status	2 x LED, yellow
	Function display	alphanumeric display, 4-digit
	Measured values	alphanumeric display, 4-digit
Remarks		
Notes		Discontinued article
Pack quantity		1 pcs.
Electrical connection		
Connector: 1 x M12; Contacts: gold-plated		

PN7003



Pressure sensor with display

PN-025-RBR14-QFRKG/US/ IV



OUT1	Switching output
OUT2	Switching output
	Diagnostic output

Discontinued article

replaced by: PN7093 – Discontinuation date: 31.03.2016