



WS/WE27-2P630

SICK
Sensor Intelligence.



Ordering information

Type	Part no.
WS/WE27-2P630	1015123

Other models and accessories → www.sick.com/

Illustration may differ



Detailed technical data

Features

Sensor/ detection principle	Through-beam photoelectric sensor
Dimensions (W x H x D)	24.6 mm x 80 mm x 53.5 mm
Housing design (light emission)	Rectangular
Sensing range max.	0 m ... 35 m
Sensing range	0 m ... 15 m
Type of light	Visible red light
Light source	LED

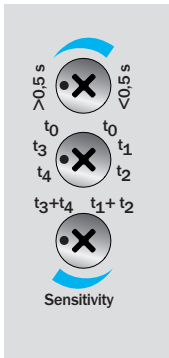
Mechanics/electronics

Supply voltage	10 V DC ... 30 V DC
Power consumption	25 mA ¹⁾
Switching output	PNP
Switching mode	Light/dark switching
Response time	≤ 500 μs ²⁾
Connection type	Connector Q6, 6-pin, DC-coding
Housing material	Plastic, ABS
Optics material	Plastic, PMMA
Enclosure rating	IP65
Ambient operating temperature	-40 °C ... +60 °C
Ambient storage temperature	-40 °C ... +75 °C
UL File No.	NRKH.E181493 & NRKH7.E181493

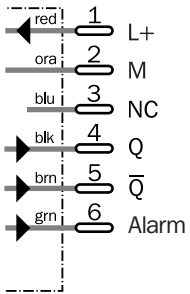
¹⁾ Without load.

²⁾ Signal transit time with resistive load.

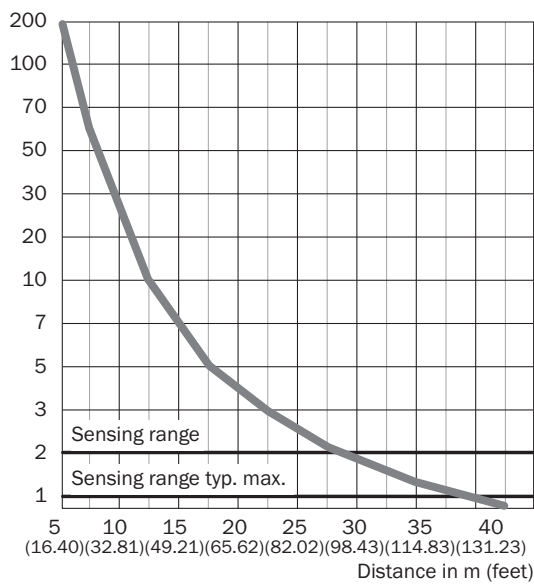
Adjustments possible



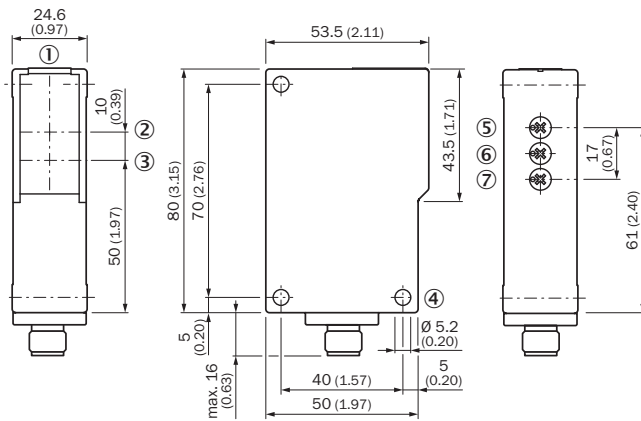
Connection diagram



Characteristic curve



Dimensional drawing (Dimensions in mm (inch))



- ① LED signal strength indicator
- ② Optical axis, sender
- ③ Optical axis, receiver
- ④ Mounting hole, $\varnothing 5.2$ mm
- ⑤ Sensitivity control

SICK AT A GLANCE

SICK is one of the leading manufacturers of intelligent sensors and sensor solutions for industrial applications. A unique range of products and services creates the perfect basis for controlling processes securely and efficiently, protecting individuals from accidents and preventing damage to the environment.

We have extensive experience in a wide range of industries and understand their processes and requirements. With intelligent sensors, we can deliver exactly what our customers need. In application centers in Europe, Asia and North America, system solutions are tested and optimized in accordance with customer specifications. All this makes us a reliable supplier and development partner.

Comprehensive services complete our offering: SICK LifeTime Services provide support throughout the machine life cycle and ensure safety and productivity.

For us, that is “Sensor Intelligence.”

WORLDWIDE PRESENCE:

Contacts and other locations –www.sick.com